

B16-LITE

LED BEACON



FEATURES

- SAE Class II Compliance.
- Multi-Voltage / High Voltage Input 11~110VDC.
- Long life LEDs rated to 100,000 hours of operation.
- Non-volatile memory recalls last flash pattern used at power up.
- Reverse polarity protection.
- Weatherproof and vibration resistant design.

SPECIFICATIONS

Meets: SAE Class 2, IPX6

Operating Voltage: 11~110VDC

Warning Patterns: 5 Flash Patterns

Bulb: 1W LED x 3 pcs

Avg. Current: 0.2A@12.8VDC / 0.07A@110VDC

Avg. Power: 2.56WATTS@12.8VDC /

7.7WATTS@110VDC

Max. Current: 0.47A

Wires: Magnetic Mount

- Single button cigar-plug: 300cm (22AWG)

Permanent Mount

- Red-Vcc : 40cm (18AWG)
- Black-GND: 40cm (18AWG)

Fuse Recommended: 1A

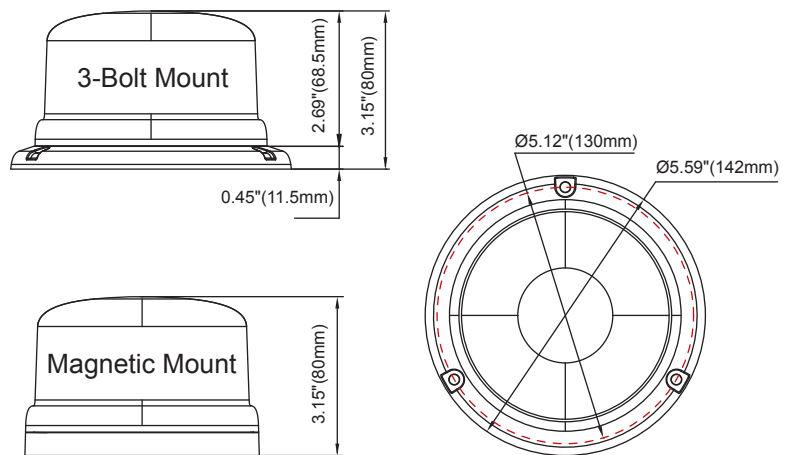
Storage Temperature: -40°C to +75°C

Operating Temperature: -30°C to +65°C

Warranty: 3 years



DIMENSIONS



PART NO.

- **B16-2x6B1-00R** 3LED, AMBER LED, AMBER LENS
- **B16-2x6B4-00R** 3LED, RED LED, RED LENS

Mounting - replace x with the following:

- 1 = 3-BOLT MOUNT
 - 2 = MAGNETIC MOUNT (Coiled cord with cigar-plug)
 - 3 = DIN MOUNT *
 - 5 = POWER MAG MOUNT (Coiled cord with cigar-plug)*❖
- * Special order
❖ Power Mag is rated at 250km/hr

FLASH PATTERN

FLASH PATTERNS			
1	8 Flash	4	Triple
2	Single	5	Quad
3	Double		