

# SDP212H/R

## Programmable Siren & Control System

12-24VDC



**SDP212H**  
15-BTN Hand-held Controller



**SDP212R**  
19-BTN w/ Slide Panel Controller



PA MIC

## FEATURES

- Fully programmable and customizable configuration with PC software:
  - Button & Input style: Maintained, Momentary, Timer and etc.
  - Button Interlink, Interlock & Output port.
  - Tone selection: Primary, Override, Mixer, Hands-free Tone.
  - Multi-press function.
- Two choices of controller style:
  - 15-Button Hand-held Controller w/ built-in Mic, Button buzzer, 6-Traffic Arrow indicator LEDs and power magnet mounting mechanism.
  - 19-Button w/ 4-position slide Panel Controller w/ detachable hand-held microphone, Button buzzer, 6-Traffic Arrow indicator LEDs and 1 stealth hidden button.
- 12 Outputs (3x 15A, 3x 10A, 2x 2A, 4x 0.25A) and 1 dry contact relay output.
- 4 Positive or negative activated Logic Inputs and 1 voltage-variable Analogue Input.
- 12-24VDC multi-voltage Class D amplifier for low amp draw and clean sound.
- 200W amplifier supports one or two 100W speakers (11Ω).
- Separate backlight control and covert mode (backlight disabled).
- Selectable tone including Wail, Yelp, Phaser (Piercer), Hi-Lo, Mechanical, European Tone and etc.
- Heavy-duty power and output connectors with easily accessible fuses.
- Radio Re-Broadcasting (RRB) for audio replay.
- "Record-n-Play" function: Record instant replayable messages up to 20 seconds.
- "MIX TONE"\* function allows each speaker for a Multi-Speaker Effect.  
**NOTE:** While Mix Tone is activated, the effective sound pressure level (SPL) for each speaker will be lower than that of regular single tone. This is to protect the speaker from overloading by the secondary tone and provide better clarity of sound and speaker lifetime.
- Voltage detection, programmable for auto low voltage protection.

## SPECIFICATIONS

- Compliance:** SAE J1849 EVS1; ECE R10 ; CISPR 25
- Input Voltage:** 12-24 VDC
- Standby Current:** ≈6 mA (w/o IGN wire) / <0.35A (w/ IGN wire)
- Max. Current:**  
20A @ 12VDC / 10A @ 24VDC (w/o light control outputs)  
100A @ 12VDC / 50A @ 24VDC (w/ light control outputs)
- Siren Output Power:** 200W (100W Speaker x2) 11Ω
- Siren Frequency:** varies between tones
- Operating Temp:** -30°C to 65°C
- I/O:**
- Power
  - High Current Output x3
  - Logic Input x4
  - Radio Audio Input
  - Controller Port
  - Speaker Output x2 set
  - IGN(Ignition)
  - Mid/Low Current Output x9
  - Voltage-variable Analogue Input x1
  - Microphone TRS (optional)
  - PC Link USB Port
- Light Controls:** 3x 15A, 3x 10A, 2x 2A, 4x 0.25A light control outputs.
- Fuse Ratings:** Blade Fuse: 30A x1, 15A x3, 10A x3, 2A x2  
Resettable Fuse: 0.25A x4
- Cable Lengths:** Connector Harness x5: 30cm  
Controller RJ45 Cord: 600cm

## PART NO.

### Handheld Control Panel

- **S006-11031-000** (ECE R10)
- **S006-21031-000** (SAE)

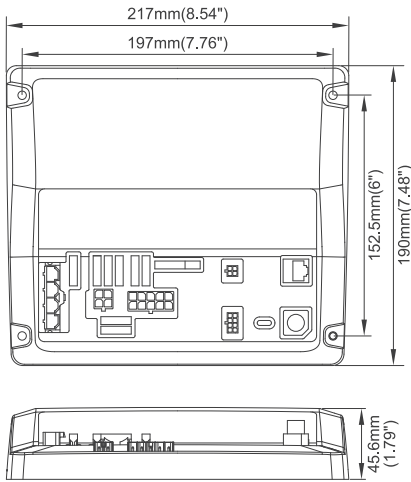
### Remote Control Panel

- **S006-12031-000** (ECE R10)
- **S006-22031-000** (SAE)

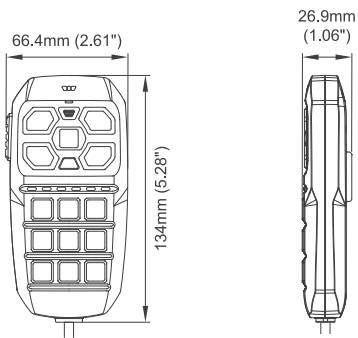


## DIMENSIONS

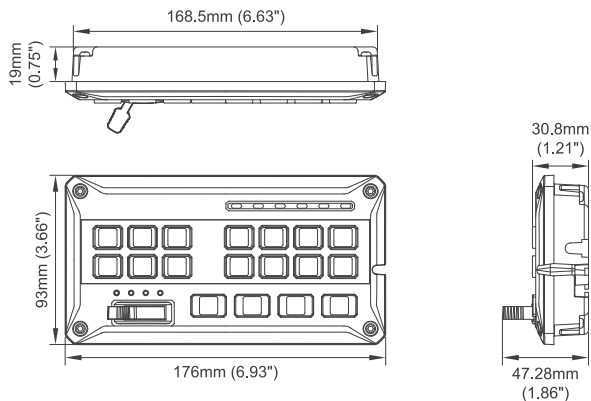
### Siren Amplifier



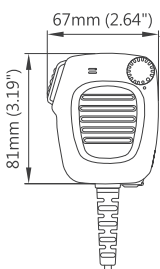
### 15-Button Handheld Controller (Power Magnet Mount)



### 19-Button w/ Slide Panel Controller



### PA Microphone



## SELECTABLE TONE\*

Description	Tone
General	Wail
	Yelp
	Phaser (Piercer)
	Hi-Lo
	Mechanical Wail
	Alternate Wail
	Comp Wail
	Comp Yelp
Horn	Air Horn
	Air Horn Hi-Lo
Combo	Wail Yelp Phaser (Piercer)
Austria Ambulance	Two Tone
Austria Fire Brigade	Two Tone
Austria Magistrate	Two Tone
Austria Police	Two Tone
France Ambulance	Two Tone
France Gendarmerie	Two Tone
France Police	Two Tone
France Pompiers	Two Tone
France UMH	Two Tone
Germany Land	Two Tone
Germany Stadt	Two Tone
Italy Ambulance	Two Tone
Italy Police	Two Tone
Italy Wail	Wail
Italy Yelp	Yelp
Netherlands Police	Two Tone
Netherlands Police 2	Two Tone

\*The actual list of Selectable Tones may vary based on the software version.

## COMPATIBLE SPEAKER

### ■ JS100-C1 Compact Siren Speaker



<< Website

Rev.221222 © 2022 Juluen

JULUEN