

Brilliantly together



LIGHTBAR

Extremely bright, high quality and durable, the TORRENT & LEGION lightbars are perfect for emergency service vehicles of all kinds that provide unbeatable visibility and safety.

The first and only patented Dual Color LED technology turns a red/blue warning lightbar to an amber traffic arrow within the same lightheads.

LEGION LED Lightbar Series

FEATURES

- ECE R65 & SAE approved lightbar.
- Innovative D-Fuser and Reflector optics for extreme brightness and superior 360 degree light spread.
- Easy to remove domes for easy maintenance.



D-Fuser Lighthouse



Reflector Lighthouse



SPECIFICATIONS

Voltage	12VDC / 24VDC
Current	Avg. 18A @12.8VDC (D-Fuser)
	Avg. 9A @12.8VDC (Reflector)
	Max. 36A @12.8VDC (D-Fuser)
	Max. 18A @12.8VDC (Reflector)
Wires	Power wire: 15 feet 14AWG x 2 or 4pcs
	Function wire: 15 feet 22AWG x 8 or 16pcs
Width	13" (331mm)
Heights	2.3" (59mm)
Length	24" / 30" / 36" / 43" / 49" / 54" / 60" / 72"
LED Colors	Amber, Red, Blue, Green, White
Lens Colors	Amber, Red, Blue, Clear

TORRENT LED Lightbar Series

FEATURES

- Rigid extruded aluminum body with multiple length selections.
- Innovative Xtreme optic for effective warning.
- Programmable flash patterns, with optional Traffic Arrow and Stop/Tail/Turn functions.



XL6 Xtreme Lighthouse



TS3 TIR Lighthouse



SPECIFICATIONS

Voltage	12VDC / 24VDC
Current	Avg. 19A @12.8VDC (Xtreme)
	Avg. 13.8A @12.8VDC (TS3)
	Max. 38A @12.8VDC (Xtreme)
	Max. 27.6A @12.8VDC (TS3)
Wires	Power wire: 15 feet 14AWG x 2 or 4pcs
	Function wire: 15 feet 22AWG x 8 or 16pcs
Heights	2.6" (67mm)
Length	30" / 35" / 40" / 44" / 49" / 54" / 59"
Lens Colors	Amber, Red, Blue, Clear
LED Colors	Amber, Red, Blue, Green, White

LEGION FIT *LED Lightbar Series*

FEATURES

- New 3LED Fresnel Optics for Front/Rear lightheads.
- New 6LED Large D-Fuser Optics for Corner lightheads.
- Easy maintenance and lamp replacement.
- Built-in 7(R65) / 26(SAE) selectable flash patterns.
- Reverse polarity protection.
- 4-Wire cable for simple installation and easy operation.



SPECIFICATIONS

Voltage	12 or 24VDC
Current	Avg. 5A @12.8VDC / 3A @25.6VDC
	Max. 7.3A @12.8VDC / 3.9A @25.6VDC (43")
	Max. 8.1A @12.8VDC / 4.4A @25.6VDC (49")
	Max. 8.9A @12.8VDC / 4.9A @25.6VDC (54")
	Max. 9.7A @12.8VDC / 5.4A @25.6VDC (60")
Warning Patterns	7 Flash Patterns (R65)
	26 Flash Patterns (SAE)
Recommend Fuse	12V=15A / 24V=7.5A
Width	13" (331mm)
Heights	2.3" (59mm)
Length	43" / 49" / 54" / 60"
LED Colors	Amber, Blue, Red, Red/Blue, White
Lens Colors	Amber, Blue, Red, Clear

DUAL COLOR LEGION *LED Lightbar Series*

FEATURES

- Industry first, patented Dual Color LED technology.
- True full dual-color light heads.
- Highly customizable software.



Coming soon...

SPECIFICATIONS

Voltage	12VDC / 24VDC
Current	Avg. 18A @12.8VDC
	Max. 36A @12.8VDC
Wires	Power wire: 15 feet / 14AWG x 4pcs
	Function wire: 15 feet / 22AWG x 16pcs
Width	13" (331mm)
Heights	2.3" (59mm)
Length	43" / 49" / 54" / 60"
Lens Colors	Clear, Red, Blue, Amber

DUAL COLOR TORRENT *LED Lightbar Series*

FEATURES

- Industry first, patented Dual Color LED technology.
- Super wide angle Xtreme Optics.
- True full dual-color light heads.
- Highly customizable software.



XL6 Xtreme Light Head



SPECIFICATIONS

Voltage	12VDC / 24VDC
Current	Avg. 19A @12.8VDC
	Max. 38A @12.8VDC
Wires	Power wire: 15 feet / 14AWG x 4pcs
	Function wire: 15 feet / 22AWG x 16pcs
Width	12.4" (317mm)
Heights	2.6" (67mm)
Length	44" / 49" / 54" / 60"
Lens Colors	Clear, Red, Blue, Amber

**AN INDUSTRY FIRST!
ALL IN ONE LED RED/BLUE WARNING WITH AMBER TRAFFIC ARROW**



What is this?

The Dual Color LED is the first in the industry to provide patented multi-color warning; capable of displaying 2 colors in each diode. So instead of installing different color light heads for various applications, the user now can satisfy his/her needs by using the Dual Color technology.

OPTIONAL SELECTION OF SIZES, COLOR LENS & Illuminated centre section (ICS)



SWITCHES

99.LTRX0.000

Switch with LED Indicator
Size: 160mmL x 59mmH x 21mmD



SCP-5R1M-T

Size: 134mmL x 39mmH x 23mmD



SCP-3R1M-T

Size: 96mmL x 39mmH x 23mmD



MOUNTING OPTIONS

97.LLG00D.00

Standard Bolt Mount Brackets



TMBA

Adjustable Bolt Mount Brackets



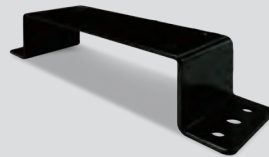
TMBF

Flat Surface Mount Brackets Small



TMBG

Flat Surface Mount Brackets Large





DASH

Compact design and easy usage, Dash is an ideal interior warning light that allows the user to transfer from vehicle to vehicle.

Sleek design and blends well with vehicle's interior, Stealth Visor is great for police undercover vehicles.

XTREME MICROMAX-II LED Dash Light

FEATURES

- Super Wide Angle Xtreme Optics.
- Built-in Selectable flash patterns with split color flashing.
- Synchronization for multiple units.



XMMAX206P LED Dash



SPECIFICATIONS

Voltage	12VDC
Current	Max. 1.40 Amps
Flash Patterns	26
Bulb	1W LED x 12 pcs
Dash Size	240mmL x 39mmH x 117mmD
LED Colors	Amber, Red, Blue, White
Carton	20pcs/Carton

MICROMAX-II LED Dash Light

FEATURES

- Powerful head-on TIR Optic.
- Built-in Selectable flash patterns with split color flashing.
- Synchronization for multiple units.



MMAX204P LED Dash



SPECIFICATIONS

Voltage	12VDC
Current	Max. 1.40 Amps
Flash Patterns	26
Bulb	1W LED x 8 pcs
Dash Size	240mmL x 39mmH x 117mmD
LED Colors	Amber, Red, Blue, White
Carton	20pcs/Carton

PARTS

ZCOV-MMAX2
Flash Back Shroud



MBMMAX2H
Headliner Bracket



TITAN LED Dash Light

FEATURES

- Super Wide Angle Xtreme Optics.
- Built-in Selectable flash patterns with split color flashing.
- Synchronization for multiple units.



TDXL6 LED Dash



SPECIFICATIONS

Voltage	11~24VDC
Current	Max. 0.92 Amps
Flash Patterns	19
Bulb	1W LED x 6 pcs
Dash Size	150mmL x 45mmH x 150mmD
LED Colors	Amber, Red, Blue, Green, White, Red/Blue
Carton	20pcs/Carton

XTREME TITAN LED Dash Light

FEATURES

- Powerful head-on TIR Optic.
- Built-in Selectable flash patterns with split color flashing.
- Synchronization for multiple units.



TDSE4 LED Dash



SPECIFICATIONS

Voltage	11~24VDC
Current	Max. 0.56 Amps
Flash Patterns	19
Bulb	1W LED x 4 pcs
Dash Size	150mmL x 45mmH x 150mmD
LED Colors	Amber, Red, Blue, Green, White, Red/Blue
Carton	20pcs/Carton

STEALTH VISOR *LED Interior Lightbar*

FEATURES

- Low Profile, only 1.38" (35mm) thick.
- Super wide angle Xtreme Optics.
- 26 selectable flash patterns.
- Optional take down/illumination function.
- Available in cigar-plug or hard-wired mount.

SPECIFICATIONS

Voltage	12VDC
Current	Max. 5.7A / 12.8VDC (SV4)
	Max. 8A / 12.8VDC (SV6)
Bulb	1W LED x 40pcs (SV4)
	1W LED x 60pcs (SV6)
Length	34.5"-46.8" (876mm-1190mm)
LED Colors	Amber, Red, Blue, Green, White
Carton	3pcs/Carton



SV4 / SV6 Stealth Visor (w/ or w/o Cigar Plug)





MINIBAR

*Outstanding light output with 360 degree light spread.
Compact size and easy installation, suitable for all kinds of
applications.*

DIAMONDBACK LED Minibar series

FEATURES

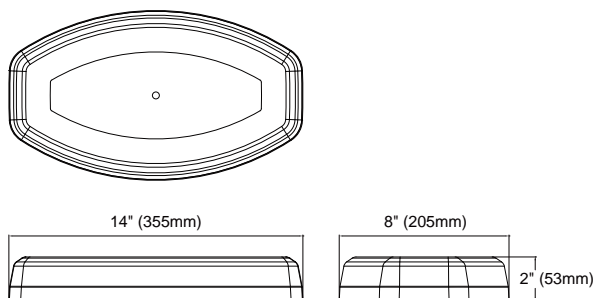
- High Intensity LED x 24pcs.
- Magnetic mount with dual button cigar-plug.
- LEDs rated to 100,000 hours of operation.
- Water and vibration resistant design.
- Reverse polarity protection.
- Available in permanent and vacuum magnet mount.



SPECIFICATIONS

Voltage	12~24VDC
Current	Avg. 1.9A @12VDC / 0.95A @24VDC Max. 3.8A @12VDC / 1.9A @24VDC
Power	Avg. 22.8 Watts / Max. 45.6 Watts
Flash Patterns	23 (dual button cigar-plug)
Width	8" (205mm)
Heights	2" (53mm)
Length	14" (355mm)
LED Colors	Amber, Blue, Red, Red/Blue, Amber/White
Lens Colors	Amber, Clear
Carton	4pcs/Carton

DIAMONDBACK SAE LED Minibar (w/ or w/o Cigar Plug)



MOUNTING OPTIONS

97.L04006.00

Single-Bolt Mount with Accessories



97.L04007.00

Fixed Mount with Accessories



97.L04008.00

Vacuum Magnetic Mount with Accessories



DIAMONDBACK *LED Minibar series*

FEATURES

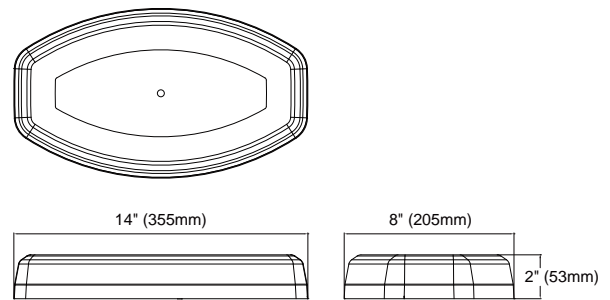
- High Intensity LED x 24pcs.
- Magnetic mount comes with Dual button cigar-plug.
- Low power function for night time use.
- Reverse polarity protection.
- Multiple units can be synchronized.
- Available in permanent and vacuum magnet mount.

SPECIFICATIONS

Voltage	12~24VDC
Current	Avg. 2.88A @12VDC / 1.44A @24VDC
	Max. 5.75A @12VDC / 2.88A @24VDC
Power	Avg. 34.5 Watts
	Max. 69 Watts
Flash Patterns	23
Width	8" (205mm)
Heights	2" (53mm)
Length	14" (355mm)
LED Colors	Amber, Blue, Red, Red/Blue, Amber/White
Lens Colors	Amber, Clear
Carton	4pcs/Carton



DIAMONDBACK R65 LED Minibar (w/ or w/o Cigar Plug)



MOUNTING OPTIONS

97.L04006.00

Single-Bolt Mount with Accessories



97.L04007.00

Fixed Mount with Accessories



97.L04008.00

Vacuum Magnetic Mount with Accessories



MICRO-BAR LED Minibar series

FEATURES

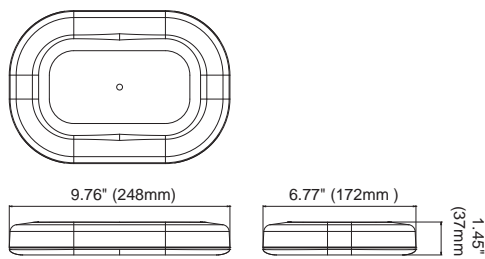
- Super Low Profile and Compact.
- Built-in 23 Selectable flash patterns.
- Dual button cigar-plug.
- Low power function for night time use.
- Available in permanent and magnetic versions.
- Multiple units can be synchronized.

MICRO-BAR SAE LED Minibar (w/ or w/o Cigar Plug)



SPECIFICATIONS

Voltage	12VDC
Current	Avg. 2.5A @12VDC
	Max. 5A @12VDC
Flash Patterns	23
Width	6.77" (172mm)
Heights	1.45" (37mm)
Length	9.76" (248mm)
LED Colors	Amber, Red, Blue, Red/Blue, Green, Green/Amber
Lens Colors	Amber, Clear
Carton	10pcs/Carton



MICRO-BAR R65 LED Minibar (w/ or w/o Cigar Plug)



SPECIFICATIONS

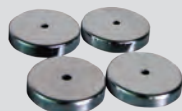
Voltage	12-24VDC
Current	Avg. 2.5A @12VDC / 1.25A @24VDC
	Max. 5A @12VDC / 2.5A @24VDC
Flash Patterns	23
Width	6.77" (172mm)
Heights	1.45" (37mm)
Length	9.76" (248mm)
LED Colors	Amber, Blue
Lens Colors	Amber, Clear
Carton	10pcs/Carton

MOUNTING OPTIONS

97.L01001.00
4-Bolts Mount



97.L01002.00
4-Magnets Mount



97.L01003.00
4-Rubber MAG Mount



97.L01004.00
Single-Bolt Bracket



MICRO-BAR-EX LED Minibar series

FEATURES

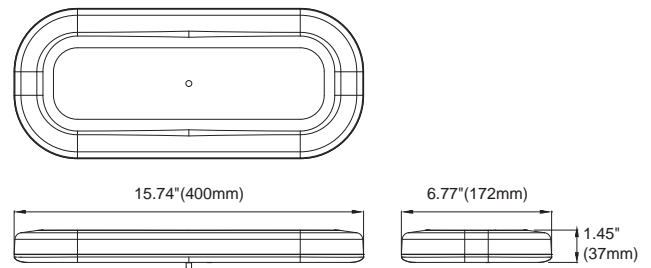
- Each unit with 14 lighthead (3 LEDs/head).
- Built-in 24 Selectable Flash Patterns.
- Non-volatile memory recalls last flash pattern used at power up.
- Available in permanent and magnetic versions.
- Magnetic version with suction magnets.
- Water and vibration resistant design for internal or external use.
- Reverse polarity protection.
- Multiple units can be synchronized.



SPECIFICATIONS

Voltage	12-24 VDC
Current	Avg. 3.1A @12VDC / 1.55A @24VDC
	Max. 6.2A @12VDC / 3.1A @24VDC
Flash Patterns	24
Width	6.77" (172mm)
Heights	1.45" (37mm)
Length	15.74" (400mm)
LED Colors	Red, Blue, Amber, White, Red/Blue (SAE)
	Amber, Blue (R65)
LensColors	Amber, Clear
Carton	4pcs/Carton

MICRO-BAR-EX LED Minibar (w/ or w/o Cigar Plug)



MOUNTING OPTIONS

99.L05M0.000

4-Bolts Mount



99.L05M1.000

4-Magnets Mount



99.L05M2.000

4-Rubber MAG Mount



99.L05M3.000

Single-Bolt Bracket



MICRO-BAR-EXD *LED Minibar series*

FEATURES

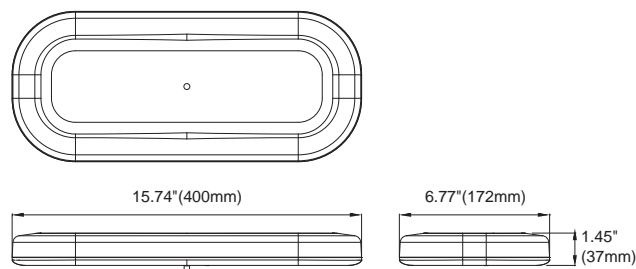
- Each unit with 6 lighthead (12 LEDs/head).
- Built-in 24 Selectable Flash Patterns.
- Dual color and dual memory capability.
- Non-volatile memory recalls last flash pattern used at power up.
- Available in permanent and magnetic versions.
- Magnetic version with suction magnets.
- Water and vibration resistant design for internal or external use.
- Reverse polarity protection.
- Multiple units can be synchronized.

SPECIFICATIONS

Voltage	12-24 VDC
Current	Avg. 3A @12VDC / 1.5A @24VDC
	Max. 6A @12VDC / 3A @24VDC
Flash Patterns	24
Width	6.77" (172mm)
Heights	1.45" (37mm)
Length	15.74" (400mm)
Colors Available	Red/Blue, Blue/Amber, Amber/Blue/Red
Carton	4pcs/Carton



MICRO-BAR-EXD LED Minibar (w/ or w/o Cigar Plug)



MOUNTING OPTIONS

99.L05M0.000
4-Bolts Mount



99.L05M1.000
4-Magnets Mount



99.L05M2.000
4-Rubber MAG Mount



99.L05M3.000
Single-Bolt Bracket



G6 LED Minibar series

FEATURES

- Super wide angle D-Fuser optic or Reflector optic.
- Built-in 19 Selectable flash patterns.
- Dual button cigar-plug.
- Available in permanent and magnetic versions.
- Multiple units can be synchronized.

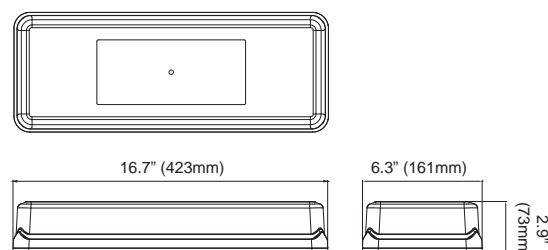


G6R Reflector Minibar (w/ or w/o Cigar Plug)



SPECIFICATIONS

Voltage	12VDC
Current	Avg. 1.85A @12.8VDC
	Max. 3.7A @12.8VDC
Flash Patterns	19
Width	6.3" (161mm)
Heights	2.9" (73mm)
Length	16.7" (423mm)
Lens Colors	Amber, Red, Blue, Clear
LED Colors	Amber, Red, Blue, White
Carton	4pcs/Carton



G6D D-Fuser Minibar (w/ or w/o Cigar Plug)



SPECIFICATIONS

Voltage	12~24VDC
Current	Avg. 2.5A @12.8VDC
	Max. 5A @12.8VDC
Flash Patterns	19
Width	6.3" (161mm)
Heights	2.9" (73mm)
Length	16.7" (423mm)
Lens Colors	Amber, Red, Blue, Clear
LED Colors	Amber, Red, Blue, White
Carton	4pcs/Carton

MOUNTING OPTIONS

G6MBB4
4-Bolts Mount



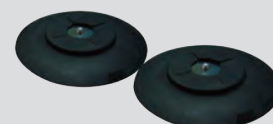
G6MBB2
2-Bolts Mount (Tall)



G6MBC4
4-Magnets Mount



G6MBC2
2-Vacuum Magnets



FALCON LED Minibar series

FEATURES

- Wide angle Xtreme Optic or TIR Optic.
- Built-in 26 Selectable flash patterns.
- Magnetic switch for unique flash pattern change.
- Available in permanent, magnetic, vacuum mag versions.
- Multiple units can be synchronized.

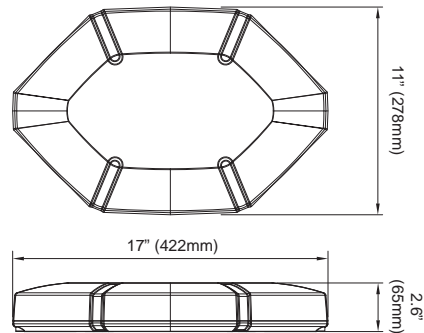


FE3 Xtreme Minibar 10 Heads (w/ or w/o Cigar Plug)



SPECIFICATIONS

Voltage	12~24VDC
Current	Max. 4A / 12.8VDC
Bulb	1W LED x 30pcs
Flash Patterns	26
Width	11" (278mm)
Heights	2.6" (65mm)
Length	17" (422mm)
Lens Colors	Amber, Red, Blue, Clear
LED Colors	Amber, Red, Blue, White
Carton	3pcs/Carton



MOUNTING OPTIONS

FMBB4

4-Bolts Mount



FMBB2

2-Bolts Mount (Tall)



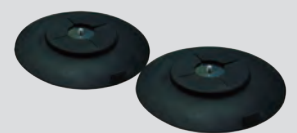
FMBC4

4-Magnets Mount



FMBC2

2-Vacuum Magnets





EXTRUSION

*Provides superior light intensity for police warning or traffic arrow.
Suitable for both interior or exterior installation.*

TRAFFIC RAYZR *Traffic Arrow Light Stick*

FEATURES

- Super Low Profile only 0.95"(24mm) in height.
- LEDs rated to 100,000 hours of operation.
- Aluminum extrusion for heat dissipation.
- Non-volatile memory recalls last flash pattern used at power up.
- Reverse polarity protection.
- Lightheades come with waterproof connectors for quick and easy replacement.
- Available with End Flasher option.



SPECIFICATIONS

Voltage	12~24VDC
Housing	Extruded Aluminum
Lens	Polycarbonate
Flash Patterns	20 Warning / 11 Arrows
Avg. Current	6 Heads = 1.5A @12.8VDC / 0.8A @ 24VDC 8 Heads = 1.9A @12.8VDC / 1A @ 24VDC 10 Heads = 2.4A @12.8VDC / 1.2A @ 24VDC
Avg. Power	6 Heads = 18.6Watts 8 Heads = 24.4Watts 10 Heads = 30.1Watts
Max. Current	6 Heads = 2.9A @12.8VDC / 1.5A @ 24VDC 8 Heads = 3.8A @12.8VDC / 1.9A @ 24VDC 10 Heads = 4.7A @12.8VDC / 2.4A @ 24VDC
Max. Power	6 Heads = 37.2Watts 8 Heads = 48.7Watts 10 Heads = 60.2Watts
Colors	Amber, Red, Blue, White
Carton	4pcs/Carton

Model	Heads	Length
E10-6020X-00	6	26.50" (673mm)
E10-8020X-00	8	34.50" (888.2mm)
E10-0020X-00	10	43.44" (1103.4mm)

XX = lighthead color

Height: 0.95" (24mm) **Depth:** 1.50" (38mm)

MOUNTING BRACKETS

97.E10001.00
TR3 Mini L-Bracket



97.E10002.00
TR3 L-Bracket



97.E10003.00
TR3 Surface Bracket



97.E10004.00
TR3 Adjustable-Bracket



SWITCHES

99.E01X0.000
Switch with LED Indicator
Size: 160mmL x 59mmH x 21mmD



TRAFFIC RAYZR *Warning Light Stick*

FEATURES

- Super Low Profile only 0.95"(24mm) in height look.
- LEDs rated to 100,000 hours of operation.
- Aluminum extrusion for heat dissipation.
- Non-volatile memory recalls last flash pattern used at power up.
- Reverse polarity protection.
- Lightheades come with waterproof connectors for quick and easy replacement.



Model	Heads	Length
E10-4020X-00	4	18.02" (457.8mm)

XX = lighthead color

Height: 0.95" (24mm) **Depth:** 1.50" (38mm)

SPECIFICATIONS

Voltage	12~24VDC
Housing	Extruded Aluminum
Lens	Polycarbonate
Flash Patterns	27 Warning Patterns
Avg. Current	4 Heads = 1A @12.8VDC / 0.5A @ 24VDC
Avg. Power	4 Heads = 12.2Watts
Max. Current	4 Heads = 1.9A @12.8VDC / 1A @ 24VDC
Max. Power	4 Heads = 24.4Watts
Colors	Amber, Red, Blue, White
Carton	4pcs/Carton

MOUNTING BRACKETS

97.E10001.00
TR3 Mini L-Bracket



97.E10002.00
TR3 L-Bracket



97.E10003.00
TR3 Surface Bracket



97.E10004.00
TR3 Adjustable-Bracket



COMMANDER SE4 LED Warning/Traffic Stick series

FEATURES

- Powerful head-on TIR optic.
- Heavy-Duty extruded aluminum.
- Weatherproof and Vibration resistant.
- LEDs rated to 100,000 hours of operation.
- Reverse Polarity Protection.
- Multi-Voltage Input 12~24VDC for all types of vehicles.



CLWW_SE4 TIR Warning Stick

CLTA_SE4 TIR Traffic Arrow Stick



Model	Heads	Max. Current	Length
PCLWW6SE4	6	3.36 Amps	34.53" (877mm)
PCLWW8SE4	8	4.48 Amps	46.18" (1173mm)
PCLWW0SE4	10	5.60 Amps	57.87" (1470mm)

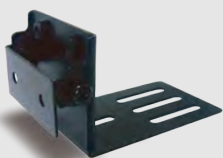
SPECIFICATIONS

Voltage	12~24VDC
Housing	Extruded Aluminum
Lens	Polycarbonate
Bulb	1 Watt LED x 4pcs per lighthouse
Flash Patterns	26 Warning (CLWW version) 11 Arrow / 11 Warning (CLTA version)
Height	1.80" (46mm)
Depth	2.25" (57mm)
Length	6, 8, 10 Lighthoods
Colors	Amber, Red, Blue, White
Carton	6pcs/Carton

MOUNTING BRACKETS

MBNLA

Height & Angle Adjustable



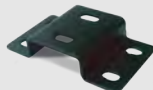
MBNLB

L-Bracket



MBNLC

Flush & Surface Mount



MBCLD

Mini L-Bracket



SWITCHES

SCP-3R1M

Size: 96mmL x 39mmH x 23mmD



COMMANDER XL6 *LED Warning/Traffic Stick series*

FEATURES

- Super wide angle Xtreme optic.
- Heavy-Duty extruded aluminum.
- Weatherproof and Vibration resistant.
- LEDs rated to 100,000 hours of operation.
- Reverse Polarity Protection.
- Multi-Voltage Input 12~24VDC for all types of vehicles.



CLWW_XL6 Xtreme Warning Stick

CLTA_XL6 Xtreme Traffic Arrow Stick



Model	Heads	Max. Current	Length
PCLWW6XL6	6	5.04 Amps	34.53" (877mm)
PCLWW8XL6	8	6.72 Amps	46.18" (1173mm)
PCLWW0XL6	10	8.40 Amps	57.87" (1470mm)

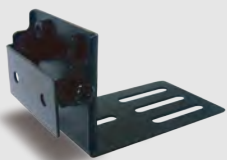
SPECIFICATIONS

Voltage	12~24VDC
Housing	Extruded Aluminum
Lens	Polycarbonate
Bulb	1 Watt LED x 6pcs per lighthouse
Flash Patterns	26 Warning (CLWW version) 11 Arrow / 11 Warning (CLTA version)
Height	1.80" (46mm)
Depth	2.25" (57mm)
Length	6, 8, 10 Lightheads
Colors	Amber, Red, Blue, White
Carton	6pcs/Carton

MOUNTING BRACKETS

MBNLA

Height & Angle Adjustable



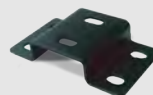
MBNLB

L-Bracket



MBNLC

Flush & Surface Mount



MBCLD

Mini L-Bracket



COMMANDER XS4 LED Warning/Traffic Stick series

FEATURES

- Super wide angle Xtreme optic.
- Heavy-Duty extruded aluminum.
- Weatherproof and Vibration resistant.
- LEDs rated to 100,000 hours of operation.
- Reverse Polarity Protection.
- Multi-Voltage Input 12~24VDC for all types of vehicles.



CLWW_XS4 Xtreme Warning Stick

CLTA_XS4 Xtreme Traffic Arrow Stick



Model	Heads	Max. Current	Length
PCLWW6XS4	6	3.12 Amps	27.40" (696mm)
PCLWW8XS4	8	4.16 Amps	36.69" (932mm)
PCLWW0XS4	10	5.20Amps	46.02" (1169mm)

SPECIFICATIONS

Voltage	12~24VDC
Housing	Extruded Aluminum
Lens	Polycarbonate
Bulb	1 Watt LED x 4pcs per lighthouse
Flash Patterns	26 Warning (CLWW version) 11 Arrow / 11 Warning (CLTA version)
Height	1.80" (46mm)
Depth	2.25" (57mm)
Length	6, 8, 10 Lighthoods
Colors	Amber, Red, Blue, White
Carton	6pcs/Carton

SWITCHES FOR TRAFFIC ARROW STICKS

99.E01X0.000

Switch with LED Indicator
 Size: 160mmL x 59mmH x 21mmD



SCP-3R1M-NLTA

Switch for Traffic Arrow
 Size: 96mmL x 39mmH x 23mmD





WORK LAMP

Powder coat die-cast aluminum provides superior corrosion protection and effective heat sink for reliable performance; works well in heavy-duty usage and harsh environments. Multi-Voltage input suitable for all vehicles and applications. Provides long service life and low power consumption.

LED WORK LAMP Series

FEATURES

- Heavy-Duty Powder Coated Die Cast Aluminum.
- Weatherproof and Vibration resistant.
- LEDs rated to 50,000 hours of operation.
- Reverse Polarity Protection.
- Waterproof connector.
- Multi-Voltage Input 11~70VDC for worldwide use.

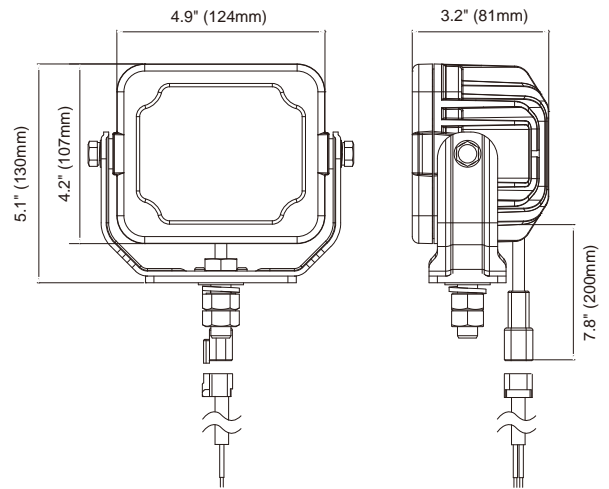


WLD Square Work Lamp (Flood WLD-6B074-00 / Spot WLD-6B174-00)



SPECIFICATIONS

Voltage	11~70VDC
Current	2.4A @12.8VDC / 1.2A @25.6VDC
	0.5A @60VDC
LED Element	CREE XML LED x 4pcs
LED Output	3200lm
LED Current	1.8 Amps
Carton	6pcs/Carton

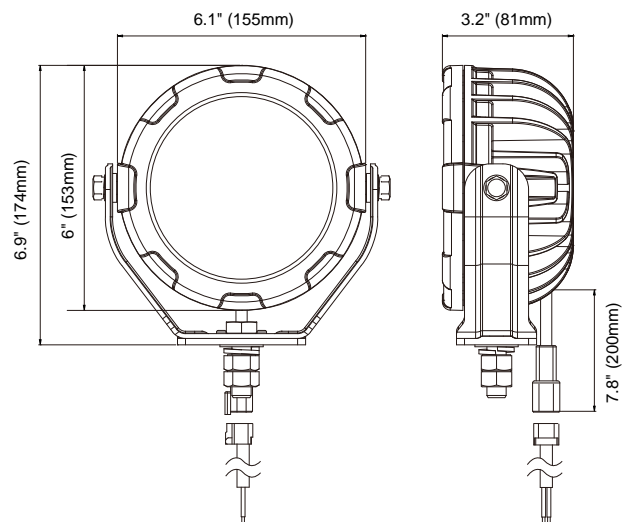


WLE Round Work Lamp (Flood WLE-6B076-00)



SPECIFICATIONS

Voltage	11~70VDC
Current	3.6A @12.8VDC / 1.8A @25.6VDC
	0.8A @60VDC
LED Element	CREE XML LED x 6pcs
LED Output	4800lm
LED Current	1.8 Amps
Carton	6pcs/Carton



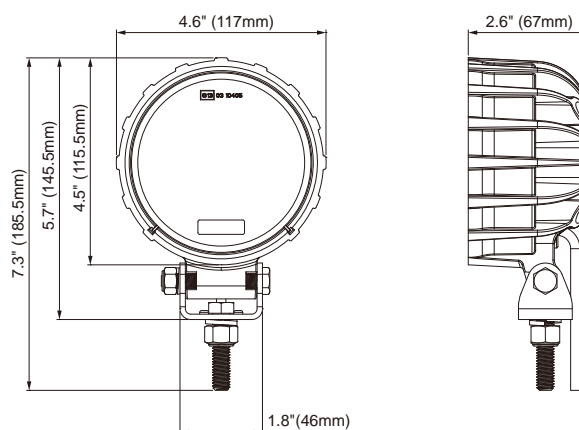
LED WORK LAMP Series

FEATURES

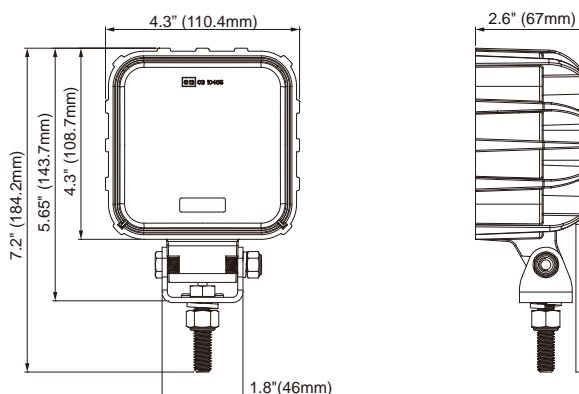
- Heavy-Duty Powder Coated Die Cast Aluminum.
- Weatherproof and Vibration resistant LEDs rated to 100,000 hours of operation .
- Reverse Polarity Protection.
- Multi-Voltage Input 11~70VDC for worldwide use.



WLB ROUND Work Lamp (WLB306 / WLB506)



WLC SQUARE Work Lamp (WLC306 / WLC506)



SPECIFICATIONS

Voltage	11~70VDC
Current	1.8A @12.8VDC / 0.9A @25.6VDC (WLB306)
	2.4A @12.8VDC / 1.2A @25.6VDC (WLB506)
LED Element	High intensity LED x 6pcs
LED Output	1000lm(WLB306) / 1900lm(WLB506)
LED Current	0.7A(WLB306) / 1A(WLB506)
Carton	20pcs/Carton

SPECIFICATIONS

Voltage	11~70VDC
Current	1.8A @12.8VDC / 0.9A @25.6VDC (WLB306)
	2.4A @12.8VDC / 1.2A @25.6VDC (WLB506)
LED Element	High intensity LED x 6pcs
LED Output	1000lm(WLB306) / 1900lm(WLB506)
LED Current	0.7A(WLB306) / 1A(WLB506)
Carton	20pcs/Carton

LED WORK LAMP Series

FEATURES

- Multi-Voltage Input 9~50VDC.
- Heavy-Duty Powder Coated Die Cast Aluminum.
- Weatherproof and Vibration resistant.
- Reverse Polarity Protection.

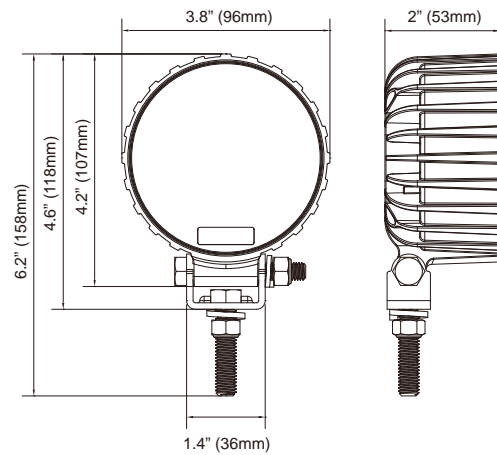


WLG Round Work Lamp
 (Flood WLG-1B051-00 / Spot WLG-1B151-00)



SPECIFICATIONS

Voltage	9~50VDC
Current	1.2A @9VDC / 0.2A @50VDC
LED Element	High intensity LED x 4pcs
LED Output	900lm
LED Current	0.55 Amps
Carton	20pcs/Carton



WLH SQUARE LED Work Lamp

FEATURES

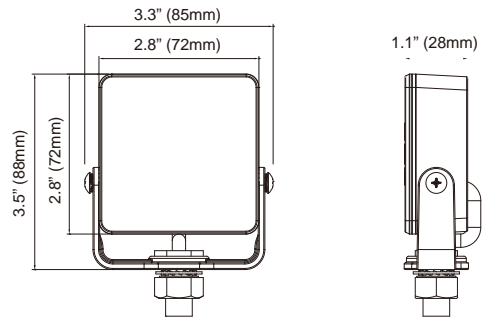
- Heavy-Duty Powder Coated Die Cast Aluminum
- Weatherproof and Vibration resistant
- LEDs rated to 50,000 hours of operation
- Reverse Polarity Protection

SPECIFICATIONS

Voltage	12~24VDC
Current Max.	0.6A @12.8VDC / 0.3A @25.6VDC
Power Max.	7.5 Watts
Bulb	High Intensity LED x 4 pcs
LED Current	0.37 Amps
Carton	30pcs/Carton

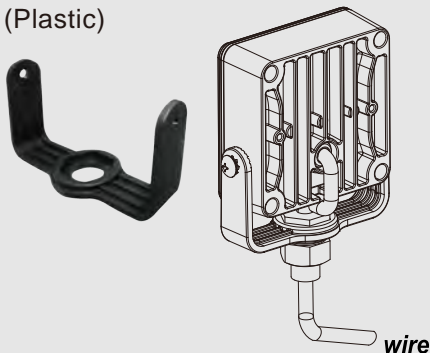


WLH Flood (wide beam)

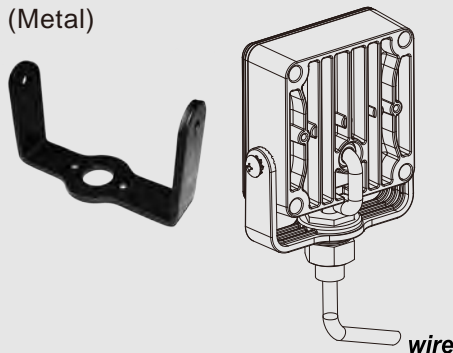


MOUNTING BRACKETS

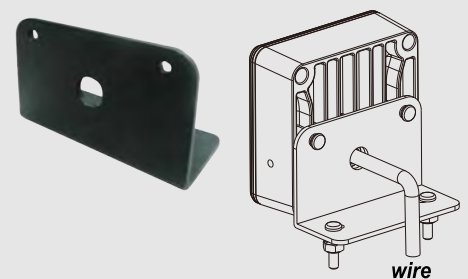
MBUBSQ4
(Plastic)



MBU2SQ4
(Metal)



MBGSSQ4



LED SCENE LAMP Series

FEATURES

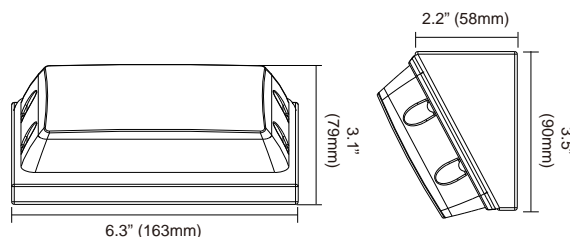
- Multi-Voltage Input 12~24VDC.
- Heavy-Duty Powder Coated Die Cast Aluminum.
- Waterproof - can be installed in all places.
- Vibration resistant - suitable for all applications.
- Reverse Polarity Protection.

SPECIFICATIONS

Voltage	12~24VDC
Current	Max. 1.2 @ 12.8VDC / 0.6A @ 25.6VDC
Bulb	High intensity LED x 10pcs
Carton	20pcs/Carton



BXLED10B-M



BXLED10B



MOUNTING BRACKETS

MBBXLED10





LIGHTHEADS

*Selectable sizes, suitable for all types of vehicle applications.
All lightheads are either SAE and/or ECE R65 Approved.
Mounts almost anywhere as needed.*

LED PAD LED Lighthouse

FEATURES

- Super low profile for discreet mounting.
- Self-Adhesive backing for quick simple mounting.
- LEDs rated to 100,000 hours of operation.
- Non-volatile memory recalls last flash pattern used at power up.
- Multiple units are synchronizable and can flash simultaneously or alternately.
- Reverse polarity protection.
- Weatherproof and vibration resistant design for external or internal use.



LP6 LED PAD Surface Mount



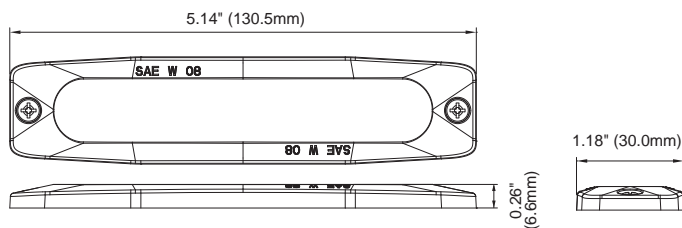
LP3 LED PAD Surface Mount



Coming soon...

SPECIFICATIONS

Voltage	12~24VDC
Current	Max. 0.25A@12VDC / 0.125A@24VDC
Bulb	High-power LED x 6 pcs
Flash Patterns	23
LED Colors	Amber, Red, Blue, White, Green
Carton	100pcs/Carton



MOUNTING BRACKETS

97.M45001.00
L-Bracket Single Head



97.M45002.00
Bracket Swivel Mount



IDENTIFICATION LED Lighthouse

FEATURES

- Dual Memory for instant switch between 2 pre-selected flash patterns.
- Selectable Steady-on function for vehicle identification or illumination.
- Wrap around side optic for nearly 180° wide angle visibility.
- Multi-units synchronization in simultaneous or alternating flash.
- 56 selectable flash patterns combination on each memory.
- Reverse polarity protection.
- Aluminum base for efficient heat dissipation.



ID6 Identification Surface Mount

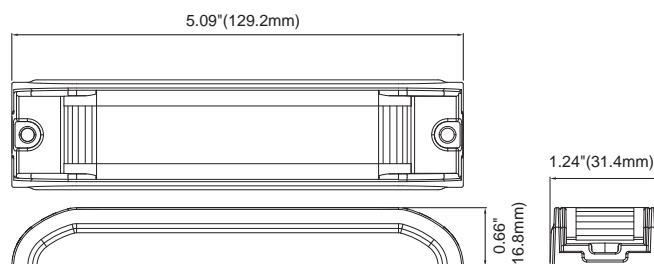


ID26 Identification Surface Mount



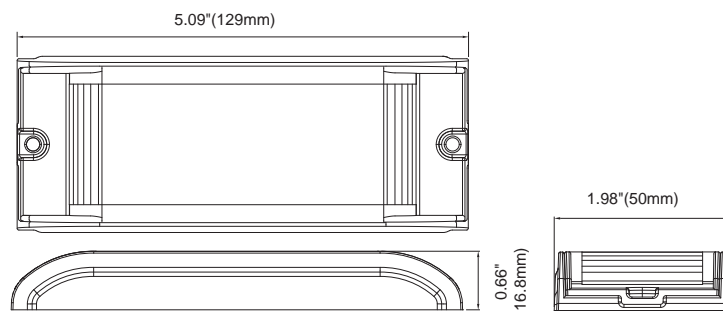
SPECIFICATIONS

Voltage	12~24VDC
Current	Max. 1A@12VDC / 0.5A@24VDC
Bulb	High-power LED x 6 pcs
Flash Patterns	15(w/ 4 Modes per FP)
LED Colors	Amber, Red, Blue, White
Carton	50pcs/Carton



SPECIFICATIONS

Voltage	12~24VDC
Current	Max. 1.75A@12VDC / 0.88A@24VDC
Bulb	High-power LED x 12 pcs
Flash Patterns	15(w/ 4 Modes per FP)
LED Colors	Amber, Red, Blue, White
Carton	50pcs/Carton



MOUNTING BRACKETS

MBGSMS6BS-A

L-Bracket Single Head



MBGSMS26BS

L-Bracket Dual Head (Top/Down)



MBGDMS6BS

L-Bracket Dual Head (Left/Right)



MBLPMS6BS

Bracket Licence Plate



SUPER THIN LED Lighthead

FEATURES

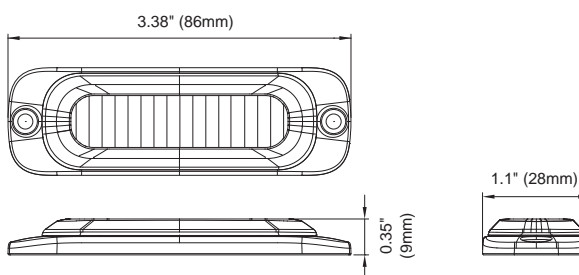
- 0.35" (9mm) Super low-profile thickness.
- Non-volatile memory recalls last flash pattern used at power up.
- Multi-units synchronization in simultaneous or alternating flash.
- Reverse polarity protection.
- Weatherproof and vibration resistant design fo internal or external use.
- Aluminum base for heat dissipation.

SPECIFICATIONS

Voltage	12~24VDC
Current	Max. 0.48A @12VDC / 0.24A @24VDC
Bulb	High-power LED x 3 pcs
Flash Patterns	12
LED Colors	Amber, Blue, Red, White
Carton	100pcs/Carton



ST3 Surface Mount



MOUNTING BRACKETS

99.M54M0.000

L-BRACKET SINGLE HEAD



99.M54M1.000

BRACKET SWIVEL MOUNT



99.M54M2.000

L-BRACKET DUAL HEAD (LEFT/RIGHT)



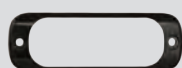
99.M54M3.000

L-BRACKET DUAL HEAD (TOP/DOWN)



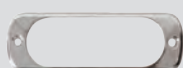
99.M54X0.000

FLANGE BLACK BASE KIT



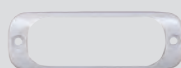
99.M54X1.000

FLANGE CHROME BASE KIT



99.M54X2.000

FLANGE WHITE BASE KIT



SUPER THIN LED Lighthead

FEATURES

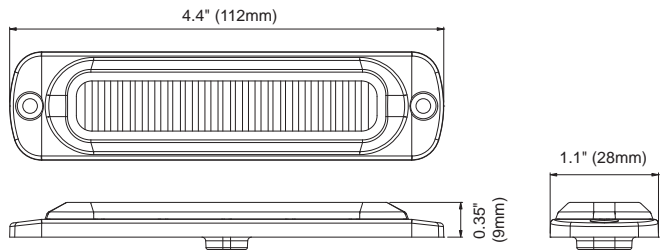
- 0.35" (9mm) Super low-profile thickness.
- Non-volatile memory recalls last flash pattern used at power up.
- Multi-units synchronization in simultaneous or alternating flash.
- Reverse polarity protection.
- Weatherproof and vibration resistant design fo internal or external use.
- Aluminum base for heat dissipation.

SPECIFICATIONS

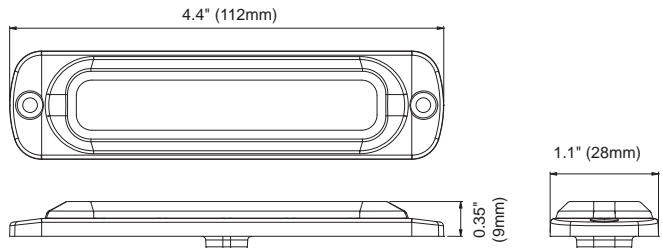
Voltage	12~24VDC
Current	Max. 1A@12VDC / 0.5A@24VDC
Bulb	High-power LED x 6 pcs
Flash Patterns	19(SAE) / 2(R65)
LED Colors	Amber, Blue, Red, White(SAE) / Amber, Blue(R65)
Carton	100pcs/Carton



ST6 Surface Mount



ST6V Surface Mount



MOUNTING BRACKETS

99.M42M0.000

L-BRACKET SINGLE HEAD



99.M42M1.000

BRACKET SWIVEL MOUNT



99.M42M2.000

L-BRACKET DUAL HEAD (LEFT/RIGHT)



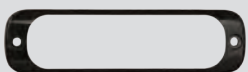
99.M42M3.000

L-BRACKET DUAL HEAD (TOP/DOWN)



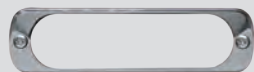
97.M42002.00

FLANGE BLACK BASE KIT



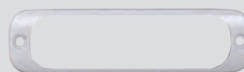
97.M42000.00

FLANGE CHROME BASE KIT



97.M42001.00

FLANGE WHITE BASE KIT



ONE EIGHTY LED Lighthouse

FEATURES

- True 180° wide-angle LED warning module.
- Non-volatile memory recalls last flash pattern used at power up.
- Multiple units are synchronizable and can flash simultaneously or alternately.
- Reverse polarity protection.
- Weatherproof and vibration resistant design for internal or external use.
- Aluminum base for heat dissipation.

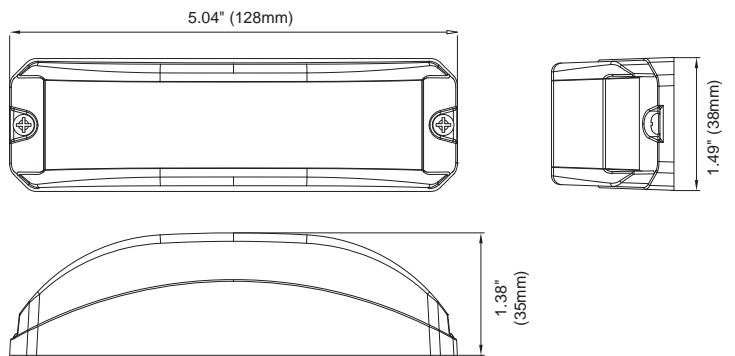


OE9 Surface Mount



SPECIFICATIONS

Voltage	12~24VDC
Current	Max. 1.16A @12VDC / 0.58A @24VDC
Bulb	High-power LED x 9 pcs
Flash Patterns	12(SAE) / 16(R65)
LED Colors	Amber, Blue, Red, White(SAE) / Amber, Blue(R65)
Carton	60pcs/Carton



MOUNTING BRACKETS

99.M44M0.000

(L-BRACKET SINGLE HEAD)



FIT-A-LIGHT LED Lighthouse

FEATURES

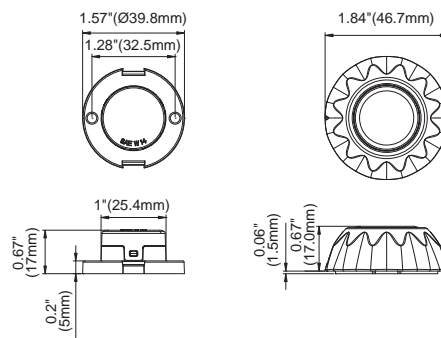
- 0.67" (17mm) Super low-profile thickness.
- Internal installation in vehicle lamp with 1" cut-out.
- External surface mount on vehicle body with flange.
- Snap-on mounting flange design with slick aesthetic.
- Meets SAE class 1 regardless of mounting orientation.
- No external flasher for easy and versatile installation.
- Multi-units synchronization in simultaneous or alternating flash.
- Reverse polarity protection.

SPECIFICATIONS

Voltage	12~24VDC
Current	Max. 0.47A @12VDC / 0.24A @24VDC
Bulb	High-power LED x 3 pcs
Flash Patterns	12
LED Colors	Amber, Blue, Red, White
Carton	100pcs/Carton



FAL03 Surface Mount



MOUNTING BRACKETS

99.M53M0.000
(L-BRACKET)



99.M53X0.000
(FLANGE, CHROME)



99.M53X1.000
(FLANGE, BLACK)



99.M53X2.000
(FLANGE, WHITE)



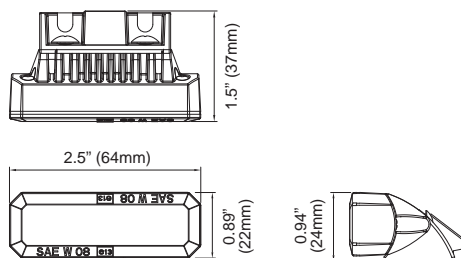
MINI-STEALTH LED Lighthouse

FEATURES

- Low profile for discreet mounting.
- Angle adjustable bracket (Hood mount).
- Multi-Voltage input, 12~24VDC.
- Synchronization for multiple units.
- Multi-unit synchronization with simultaneous or alternating flash.
- Reverse polarity protection.



MS3BH / MS3BH R65 Hood Mount

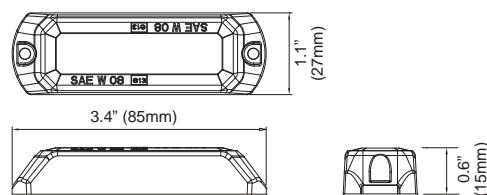


MS3BS / MS3BS R65 Surface Mount



SPECIFICATIONS

Voltage	12~24VDC
Current	Max. 0.4A@12.8VDC / 0.22A@24VDC(SAE) Max. 0.68A @12VDC / 0.34A @24VDC(R65)
Bulb	1W LED x 3 pcs
Flash Patterns	12(SAE) / 5(R65)
LED Colors	Amber, Red, Blue, White, Green(SAE) Amber, Blue(R65)
Carton	100pcs/Carton



MOUNTING BRACKETS (MS3BS)

MBGMS3BS-A
L-Bracket Single Head



MBGMS23BS
L-Bracket Dual Head(Top/Down)



MBGDMS3BS
L-Bracket Dual Head(Left/Right)



97.M14001.00
Rubber Boot



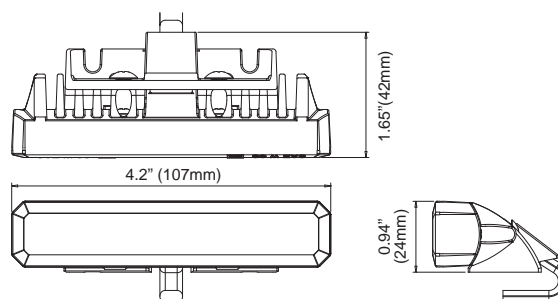
MINI-STEALTH LED Lighthouse

FEATURES

- Latest high power LED technology.
- Super low profile discreet mounting.
- 12-24VDC Multi-Voltage Input.
- Multi-units synchronization in simultaneous or alternating flash.
- Reverse polarity protection.
- Weatherproof and vibration resistant design for versatile application.
- Aluminum base for efficient heat dissipation.



MS6BH / MS6BH R65 Hood Mount

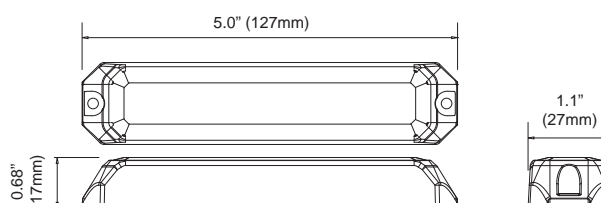


MS6BS / MS6BS R65 Surface Mount



SPECIFICATIONS

Voltage	12~24VDC
Current	Max. 0.80A@12VDC / 0.40A@24VDC (Amber/Red) Max. 1.15A@12VDC / 0.58A@24VDC (Blue/White/Green)
Bulb	1W LED x 6 pcs
Flash Patterns	19 (SAE) / 5 (R65)
LED Colors	Amber, Red, Blue, Green, White (SAE) Amber, Blue, Red (R65 Class I); Amber, Blue (R65 Class II)
Lens Colors	Clear, Blue, Purple
Carton	100pcs/Carton



MOUNTING BRACKETS (MS6BS)

MBGSMS6BS-A

L-Bracket Single Head



MBGSMS26BS

L-Bracket Dual Head (Top/Down)



MBGDMS6BS

L-Bracket Dual Head (Left/Right)



97.M16001.00

Rubber Boot



MINI-STEALTH LED Lighthouse

FEATURES

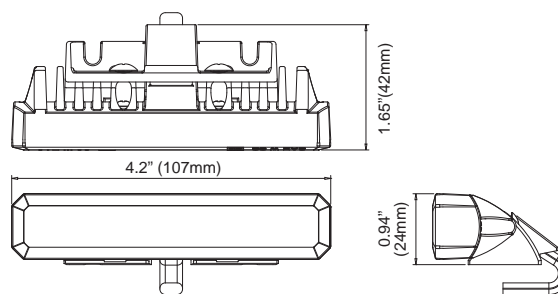
- Latest high power LED technology.
- Super low profile discreet mounting.
- Vertical installation meeting corresponding regulation.
- 12-24VDC Multi-Voltage Input.
- Multi-units synchronization in simultaneous or alternating flash.
- Reverse polarity protection.
- Weatherproof and vibration resistant design for versatile application.
- Aluminum base for efficient heat dissipation.



SPECIFICATIONS

Voltage	12-24VDC
Current	Max. 0.80A@12VDC / 0.40A@24VDC (Amber/Red) Max. 1.15A@12VDC / 0.58A@24VDC (Blue/White/Green)
Bulb	1W LED x 6 pcs
Flash Patterns	19 (SAE) / 5 (R65)
LED Colors	Amber, Red, Blue, Green, White (SAE) Amber, Blue, Red (R65)
Carton	50pcs/Carton

MS6BH-V / MS6BH R65-V Hood Mount

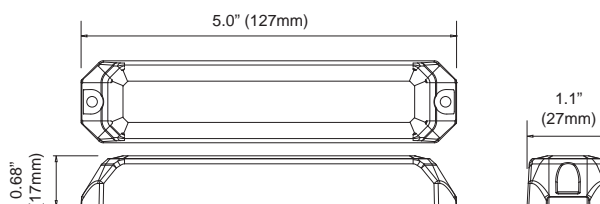


MS6BS-V / MS6BS R65-V Surface Mount



SPECIFICATIONS

Voltage	12-24VDC
Current	Max. 0.80A@12VDC / 0.40A@24VDC (Amber/Red) Max. 1.15A@12VDC / 0.58A@24VDC (Blue/White/Green)
Bulb	1W LED x 6 pcs
Flash Patterns	19 (SAE) / 5 (R65)
LED Colors	Amber, Red, Blue, Green, White (SAE) Amber, Blue, Red (R65)
Carton	100pcs/Carton



MOUNTING BRACKETS (MS6BS)

MBGSMS6BS-A
L-Bracket Single Head



MBGSMS26BS
L-Bracket Dual Head (Top/Down)



MBGDMS6BS
L-Bracket Dual Head (Left/Right)



97.M16001.00
Rubber Boot



MINI-STEALTH LED Lighthouse

FEATURES

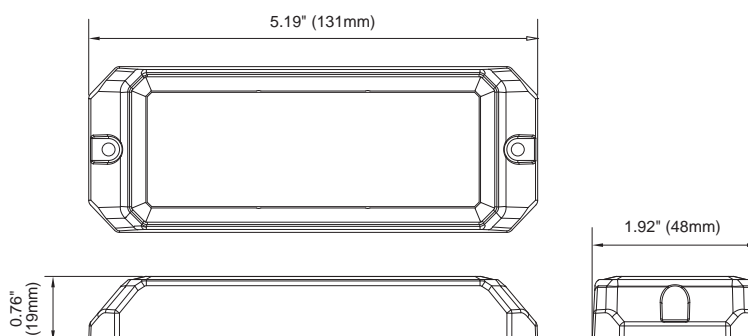
- Super low profile for discreet mounting.
- Multi-Voltage input, 12~24VDC.
- Built-in 25 selectable flash patterns and 3 modes (Top-Down, Left-Right, Criss-Cross)
- Built-in Low Power function.
- Synchronization for multiple units.
- Multi-unit synchronization with simultaneous or alternating flash.
- Reverse polarity protection.

SPECIFICATIONS

Voltage	12~24VDC
Current Max.	1.5A@12VDC / 0.75A@24VDC(Ambr / Red)
	2.5A@12VDC / 1.25A@24VDC(Blue / White)
Bulb	1W LED x 12 pcs
Flash Patterns	25
LED Colors	Amber, Blue, Red, White (SAE)
	Amber, Blue (R65)
Carton	50pcs/Carton



M26BS Surface Mount



MOUNTING BRACKETS

99.M35M0.010

L-Bracket Single Head



99.M35M0.020

VL-Bracket Dual Head(Top/Down)



99.M35M0.030

L-Bracket Dual Head(Left/Right)



99.M35M0.070

Rubber Boot



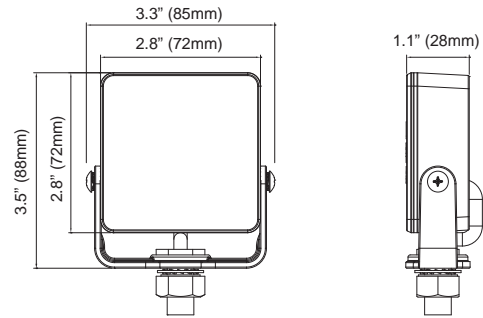
SQUARE LED Lighthouse

FEATURES

- Superior Warning - 4 High Power LED.
- Mount anywhere with adjustable or standard bracket.
- Compact unit can be used as a warning or illuminating device.



SQ4B1 Square Single-Bolt Mount

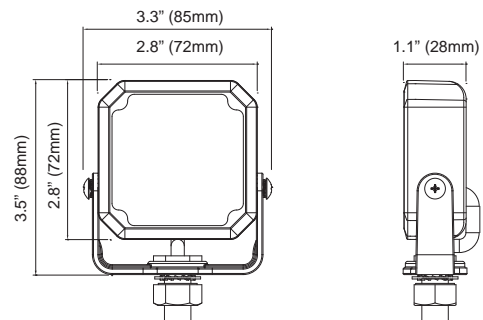


SQ4B3 Square Single-Bolt Mount



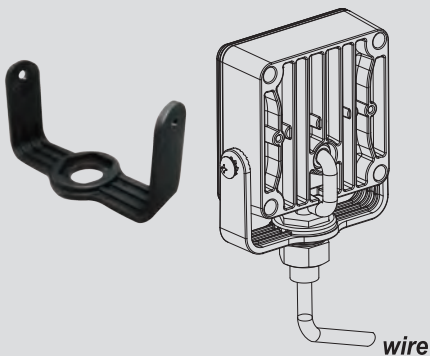
SPECIFICATIONS

Voltage	12~24VDC
Current Max.	0.55A @12.8VDC / 0.26A @24VDC
Bulb	1W LED x 4 pcs
Flash Patterns	19
LED Colors	Amber, Red, Blue, White
Carton	30pcs/Carton

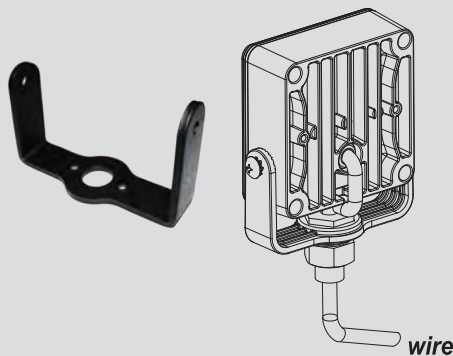


MOUNTING BRACKETS

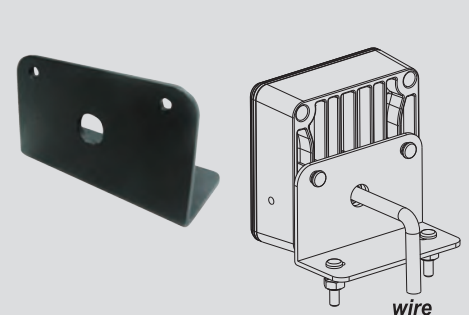
MBUBSQ4
(Plastic)



MBU2SQ4
(Metal)



MBGSSQ4



HIGH INTENSITY LED Lighthouse

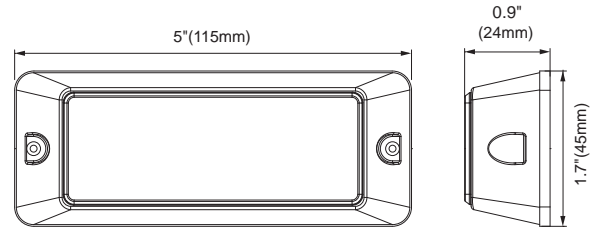
FEATURES

- Non-volatile memory recalls last flash pattern used at power up.
- Multiple units can be synchronized with simultaneous or alternating flash.
- Reverse polarity protection.
- Weatherproof and vibration resistant design for external or internal use.
- Aluminum base for heat dissipation.

SPECIFICATIONS

Voltage	12~24VDC
Current	Max. 0.4A@12.8VDC / 0.22A@24VDC
Bulb	High Intensity 1W LED x 3 pcs
Flash Patterns	12
LED Colors	Amber, Red, Blue, White
Carton	70pcs/Carton

SE3 Surface Mount

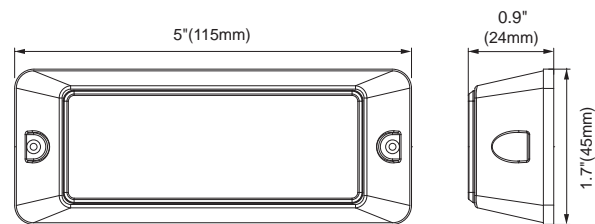


M38 Surface Mount



SPECIFICATIONS

Voltage	12~24VDC
Current	Max. 0.92A @12VDC / 0.46A @24VDC
Bulb	1W LED x 3pcs
Flash Patterns	16
LED Colors	Amber (R65)
Carton	70pcs/Carton



MOUNTING BRACKETS

MBGSXS4-A

L-Bracket Single Head



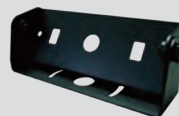
MBLPXS4

License Plate Mount Bracket



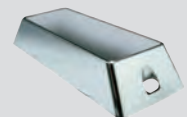
MBSMXS4

Swivel Mount Bracket



ZBAS-E3-ABS-S

Chrome Flange



HIGH INTENSITY LED Lighthouse

FEATURES

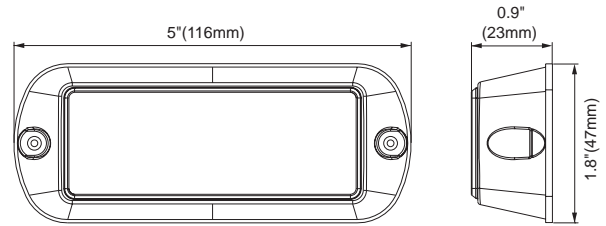
- TIR or Super wide angle Xtreme Optics
- Built-in 12 selectable flash patterns.
- Multi-unit synchronization with simultaneous or alternating flash.



SPECIFICATIONS

Voltage	12~24VDC
Current	Max. 0.52A
Bulb	High Intensity 1W LED x 4 pcs
Flash Patterns	19
LED Colors	Amber, Red, Blue, White
Carton	70pcs/Carton

XS4 XTREME Surface Mount



MOUNTING BRACKETS

MBGSXS4-A

L-Bracket Single Head



MBLPXS4

License Plate Mount Bracket



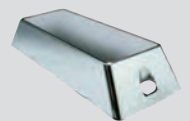
MBSMXS4

Swivel Mount Bracket



ZBAS-E3-ABS-S

Chrome Flange



MBGDXS4

VL-Bracket Dual Head



HIGH INTENSITY LED Lighthouse

FEATURES

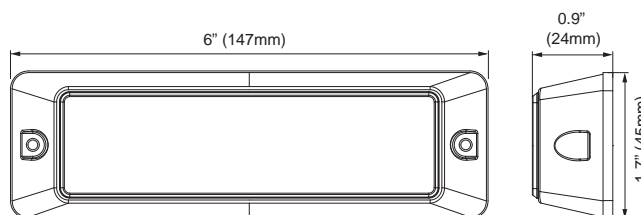
- TIR or Super wide angle Xtreme Optics
- Built-in 12 selectable flash patterns.
- Multi-unit synchronization with simultaneous or alternating flash.



SPECIFICATIONS

Voltage	12~24VDC
Current	Max. 0.56A@12.8VDC / 0.28A@24VDC
Bulb	High Intensity 1W LED x 4 pcs
Flash Patterns	19
LED Colors	Amber, Red, Blue, White
Carton	60pcs/Carton

SE4 Surface Mount

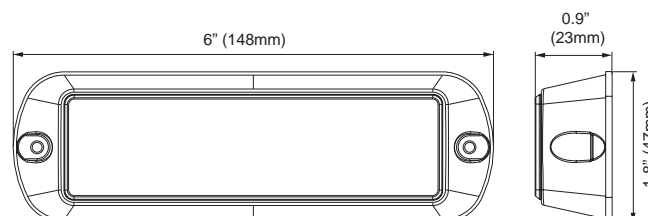


XL6 XTREME Surface Mount



SPECIFICATIONS

Voltage	12~24VDC
Current	Max. 0.92A@12.8VDC / 0.47A@25.6VDC
Bulb	High Intensity 1W LED x 6 pcs
Flash Patterns	19
LED Colors	Amber, Red, Blue, White
Carton	60pcs/Carton



MOUNTING BRACKETS

MBGSXL6

L-Bracket Single Head



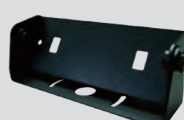
MBLPXL6

License Plate Mount Bracket



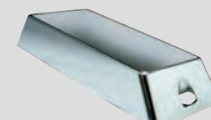
MBSMXL6

Swivel Mount Bracket



ZBAS-E4-ABS-S

Chrome Flange



MBGDXL6

L-Bracket Dual Head



HIGH INTENSITY LED Lighthouse

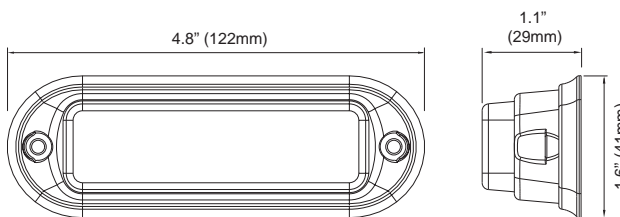
FEATURES

- Built-in 23 Selectable Flash Patterns.
- Multi-unit synchronization with simultaneous or alternating flash.
- Reverse polarity protection.
- Weatherproof and vibration resistant.

SPECIFICATIONS

Voltage	12~24VDC
Current Max.	0.56A @12.8VDC / 0.3A @24VDC
Bulbs	1W LED x 4 pcs
LFlash Patterns	19
LED Colors	Amber, Red, Blue, White, Green
Carton	70pcs/Carton

TLED04 Surface Mount

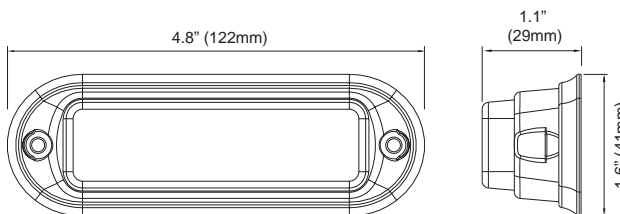


M36 (TLED04-R65) Surface Mount



SPECIFICATIONS

Voltage	12~24VDC
Current Max.	0.64A @12.8VDC / 0.34A @24VDC
Bulbs	1W LED x 4 pcs
LFlash Patterns	23
LED Colors	Amber, Blue
Carton	70pcs/Carton



MOUNTING BRACKETS

MBGSXS4-A

L-Bracket Single Head



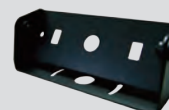
MBLPXS4

License Plate Mount Bracket



MBSMXS4

Swivel Mount Bracket



ZBAS-JLED04-ABS-W

Chrome Flange



ZRUB-TLED04

TLED04 Rubber Boot



HIGH INTENSITY LED Lighthouse

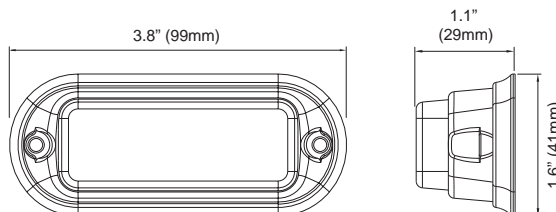
FEATURES

- Built-in 23 Selectable Flash Patterns.
- Multi-unit synchronization with simultaneous or alternating flash.
- Reverse polarity protection.
- Weatherproof and vibration resistant.

SPECIFICATIONS

Voltage	12~24VDC
Current Max.	0.4A @12.8VDC / 0.22A @24VDC
Bulbs	1W LED x 3 pcs
LFlash Patterns	12
LED Colors	Amber, Red, Blue, White, Green
Carton	70pcs/Carton

TLED03 Surface Mount

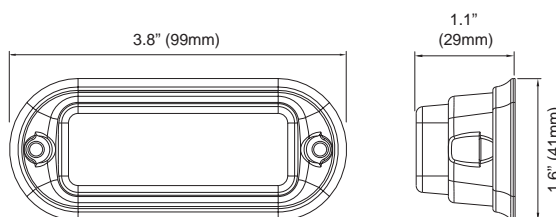


M37 (TLED03-R65) Surface Mount



SPECIFICATIONS

Voltage	12~24VDC
Current Max.	0.63A @12.8VDC / 0.33A @24VDC
Bulbs	1W LED x 3 pcs
Flash Patterns	16
LED Colors	Amber
Carton	70pcs/Carton



MOUNTING BRACKETS

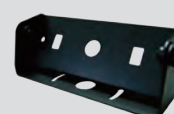
MBGSTLED03
L-Bracket Single Head



MBLPTLED03
License Plate Mount Bracket



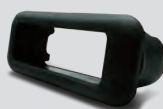
MBSMTLED03
Swivel Mount Bracket



ZBAS-JLED03-ABS-W
Chrome Flange



ZRUB-TLED03
TLED03 light head



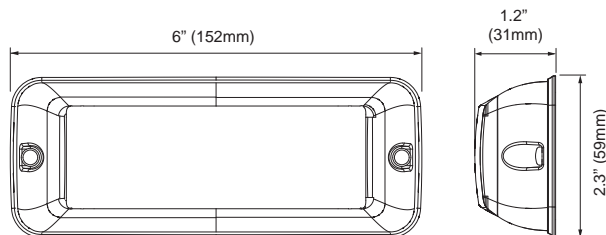
HEAVY DUTY LED Lighthead

FEATURES

- Super wide angle Xtreme or TIR Optics.
- Waterproof and vibration resistant.
- Multi-unit synchronization with simultaneous or alternating flash.
- Flash pattern include side-by-side split or inside-out split.



XLED06/09 XTREME Surface Mount

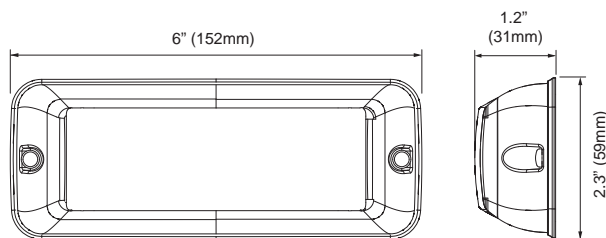


LE4 TIR Surface Mount



SPECIFICATIONS

Voltage	12~24VDC
Current Max.	Max. 0.56A @12.8VDC / 0.28A @25.6VDC
Bulb	High-power LED x 4 pcs
Flash Patterns	19
LED Colors	Amber, Blue, Red, White
Carton	30pcs/Carton



MOUNTING BRACKETS

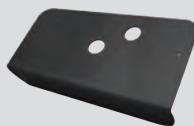
MBXLED09SA

Height & Angle Adjustable Bracket



MBXLED09SB-A

Deck/Grille Mount L-Bracket



HEAVY DUTY LED Lighthead

FEATURES

- TIR or super wide angle Xtreme Optics.
- Waterproof modules.
- Multi-unit synchronization with simultaneous or alternating flash.
- Up-Down split flash available.

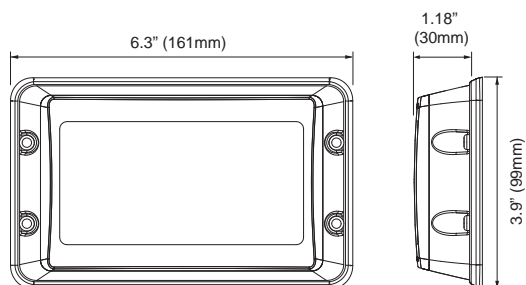


XLED18 XTREME Surface Mount



SPECIFICATIONS

Voltage	12~24VDC
Current Max.	2.4A @ 12.8VDC / 1.3A @ 24.0VDC
Bulb	1W LED x 18 pcs
Flash Patterns	19
LED Colors	Amber, Red, Blue, White
Carton	20pcs/Carton



LE8 XTREME Surface Mount



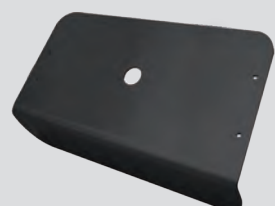
SPECIFICATIONS

Voltage	12~24VDC
Current Max.	1.04A @ 12.8VDC / 0.56A @ 24VDC
Bulb	1W LED x 8 pcs (w/ Fluted Optics)
Flash Patterns	19
LED Colors	Amber, Red, Blue, White
Carton	20pcs/Carton

MOUNTING BRACKETS

MBXLED18SB-A

Deck/Grille Mount L-Bracket



XTREME LED Lighthouse

FEATURES

- Super wide angle Xtreme Optics.
- Waterproof and vibration resistant.
- Multi-unit synchronization with simultaneous or alternating flash.
- Side-by-side split flash available.
- Flange base in tall or short selections.

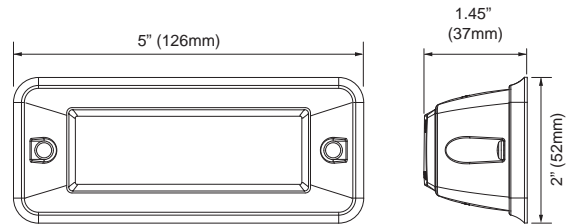


XSLED04 XTREME Surface Mount XSLED04T (Tall flange)



SPECIFICATIONS

Voltage	12~24VDC
Current	Max. 0.56A@12.8VDC / 0.28A@245.6VDC
Bulb	High Intensity 1W LED x 4 pcs
Flash Patterns	19
LED Colors	Amber, Red, Blue, White
Carton	60pcs/Carton



XSLED04 XTREME Surface Mount XSLED04S (Short flange)



MOUNTING BRACKETS

MBGSXS4-A

L-Bracket Single Head





BEACONS

*Provides 360 degree high intensity light output.
Various sizes and mounting options available for different
type of applications.*

HIGH INTENSITY LED Beacon

FEATURES

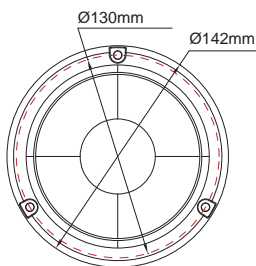
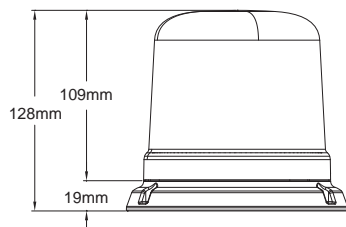
- Non-volatile memory recalls last flash pattern used at power up.
- Multiple units are synchronizable and can flash simultaneously or alternately.
- Reverse polarity protection.
- Weatherproof and vibration resistant design for external use.



SPECIFICATIONS

Voltage	12~24VDC
Current	Max. 3.3A @12.8VDC / 1.75A @24VDC
Bulb	3W LED x 10 pcs
LED Colors	Amber, Blue, Red
Lens Colors	Amber, Blue, Red
Carton	12pcs/Carton

B14 R65 5" LED Beacon



PART NO.

Models with Bolt Mount

B14-11134-00	3-Bolt Mount, Red
B14-11135-00	3-Bolt Mount, Amber
B14-11232-00	3-Bolt Mount, Blue TB1
B14-11235-00	3-Bolt Mount, Amber TA1

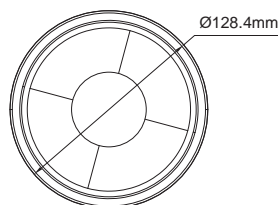
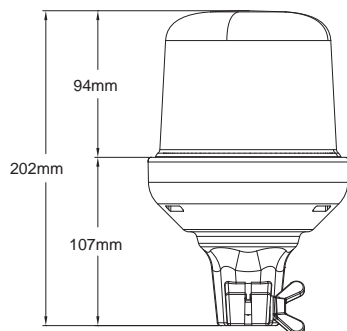
Models with Magnetic Mount

B14-12134-00	Magnetic Mount, Red (Straight cord with single button cigar-plug)
B14-12135-00	Magnetic Mount, Amber (Straight cord with single button cigar-plug)
B14-12232-00	Magnetic Mount, Blue TB1 (Straight cord with single button cigar-plug)
B14-12235-00	Magnetic Mount, Amber TA1 (Straight cord with single button cigar-plug)
B14-14232-00	Magnetic Mount, Blue TB1 (European coil cord and cigar-plug)
B14-14235-00	Magnetic Mount, Amber TA1 (European coil cord and cigar-plug)
B14-16232-00	Power Mag Mount, Blue TB1 (European coil cord and cigar-plug)
B14-16235-00	Power Mag Mount, Amber TA1 (European coil cord and cigar-plug)

*Power Mag is rated at 250km/hr

Models with DIN Mount

B14-13132-00	DIN pole Mount, Blue
B14-13135-00	DIN pole Mount, Amber
B14-13232-00	DIN pole Mount, Blue TB1
B14-13235-00	DIN pole Mount, Amber TA1



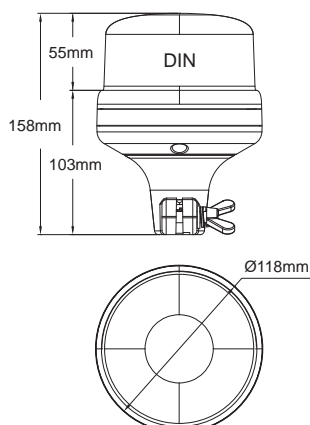
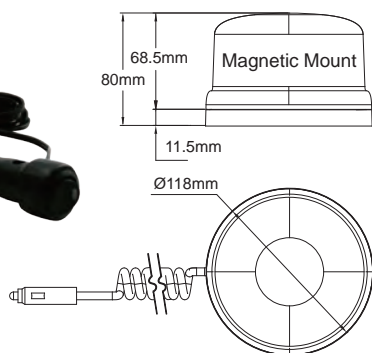
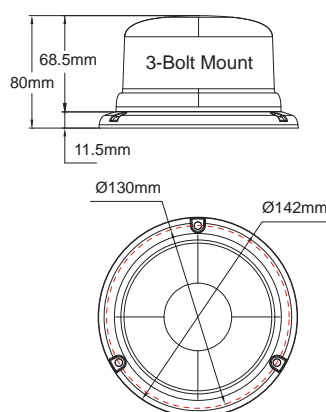
HIGH INTENSITY LED Beacon

FEATURES

- Non-volatile memory recalls last flash pattern used at power up.
- Multiple units are synchronizable and can flash simultaneously or alternately.
- Reverse polarity protection.
- Weatherproof and vibration resistant design for external use.



B16 R65 3" LED Beacon



SPECIFICATIONS

Voltage	12~24VDC
Current	Max. 2.4A @12.8VDC / 1.3A @24VDC
Bulb	3W LED x 8 pcs
LED Colors	Amber, Blue
Lens Colors	Amber, Blue
Carton	12pcs/Carton

PART NO.

Models with Bolt Mount

B16-11131-00	3-Bolt Mount, Amber
B16-11132-00	3-Bolt Mount, Blue
B16-11231-00	3-Bolt Mount, Amber TA1
B16-11232-00	3-Bolt Mount, Blue TB1

Models with Magnetic Mount

B16-12131-00	Magnetic Mount, Amber (Straight cord with single button cigar-plug)
B16-12132-00	Magnetic Mount, Blue (Straight cord with single button cigar-plug)
B16-12231-00	Magnetic Mount, Amber TA1 (Straight cord with single button cigar-plug)
B16-12232-00	Magnetic Mount, Blue TB1 (Straight cord with single button cigar-plug)
B16-12532-00	Magnetic Mount, Amber TB2 (Straight cord with single button cigar-plug)
B16-14231-00	Magnetic Mount, Amber TA1 (European coil cord and cigar-plug)
B16-14232-00	Magnetic Mount, Blue TB1 (European coil cord and cigar-plug)
B16-14532-00	Magnetic Mount, Blue TB2 (European coil cord and cigar-plug)
B16-16231-00	Power Mag Mount, Amber TA1 (European coil cord and cigar-plug)
B16-16232-00	Power Mag Mount, Blue TB1 (European coil cord and cigar-plug)
B16-16532-00	Power Mag Mount, Blue TB2 (European coil cord and cigar-plug)

*Power Mag is rated at 250km/hr

Models with DIN Mount

B16-13131-00	DIN pole Mount, Amber
B16-13132-00	DIN pole Mount, Blue
B16-13231-00	DIN pole Mount, Amber TA1
B16-13232-00	DIN pole Mount, Blue TB1

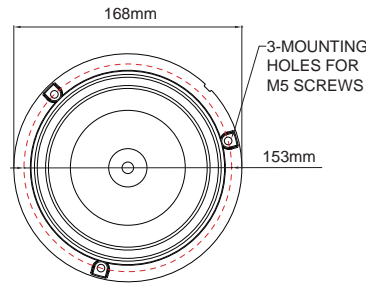
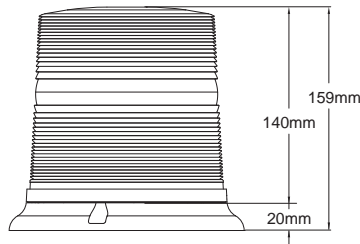
HIGH INTENSITY LED Beacon

FEATURES

- Non-volatile memory recalls last flash pattern used at power up.
- Multiple units synchronizable.
- Reverse polarity protection.
- Weatherproof and vibration resistant design for external use.
- California Title 13 version with smooth outer dome.



B15 6" LED Beacon



SPECIFICATIONS

Voltage	12VDC (4LED) / 12-24VDC (8LED/12LED)
Current (4LED)	Max. 1.7A @12.8VDC
Current (12LED)	Max. 2.5A @12.8VDC / 1.33A @24VDC
Current (8LED)	Max. 1.1A @12.8VDC / 0.6A @24VDC
Bulb	3W LED x 4pcs or 12pcs, 1W LED x 8pcs
LED Colors	Amber, White
Lens Colors	Amber, Clear
Carton	12pcs/Carton

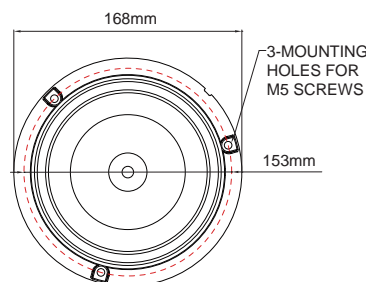
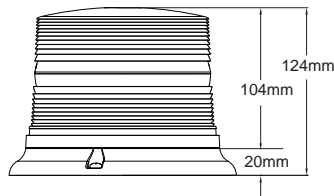
*CA13 version comes with smooth outer dome, (AMBER only)

PART NO.

B15-1111-00	4LED, 3-Bolt Mount / 1" Pipe (AMBER)
B15-1111W-00	4LED, 3-Bolt Mount / 1" Pipe (WHITE)
B15-1211-00	4LED, Magnetic Mount (AMBER)
B15-1211W-00	4LED, Magnetic Mount (WHITE)
B15-1311-00	4LED, DIN Mount (AMBER)
B15-1311W-00	4LED, DIN Mount (WHITE)
B15-2133-00	12LED, 3-Bolt Mount / 1" Pipe (AMBER)
B15-2233-00	12LED, Magnetic Mount (AMBER)
B15-3143-00	8LED, 3-Bolt Mount / 1" Pipe (AMBER)
B15-3143W-00	8LED, 3-Bolt Mount / 1" Pipe (WHITE)
B15-3243-00	8LED, Magnetic Mount (AMBER)
B15-3243W-00	8LED, Magnetic Mount (WHITE)
B15-3343-00	8LED, DIN Mount (AMBER)
B15-3343W-00	8LED, DIN Mount (WHITE)

*Models with DIN Mount are by request only.

B17 5" LED Beacon



PART NO.

B17-1111-00	4LED, 3-Bolt Mount / 1" Pipe (AMBER)
B17-1111W-00	4LED, 3-Bolt Mount / 1" Pipe (WHITE)
B17-1211-00	4LED, Magnetic Mount (AMBER)
B17-1211W-00	4LED, Magnetic Mount (WHITE)
B17-1311-00	4LED, DIN Mount (AMBER)
B17-1311W-00	4LED, DIN Mount (WHITE)
B17-2143-00	8LED, 3-Bolt Mount / 1" Pipe (AMBER)
B17-2143W-00	8LED, 3-Bolt Mount / 1" Pipe (WHITE)
B17-2243-00	8LED, Magnetic Mount (AMBER)
B17-2243W-00	8LED, Magnetic Mount (WHITE)
B17-2343-00	8LED, DIN Mount (AMBER)
B17-2343W-00	8LED, DIN Mount (WHITE)

*Models with DIN Mount are by request only.

HIGH INTENSITY LED Beacon

FEATURES

- True 360° High Intensity Light Output.
- Built-in 26 Selectable Flash Patterns.
- Built-in Hi/Lo POWER Option.
- Built-in Hi/Lo SPEED Option.
- Multi-unit Synchronization.
- Optional Upward-Facing LEDs.



Beacon

JB165 LED Beacon



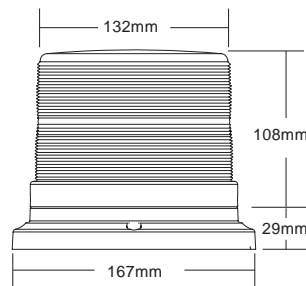
SPECIFICATIONS

Voltage	12~24VDC
Current	Max. 3.7A @12.8VDC / 2A @24VDC
Dome Material	Polycarbonate
Bulb	3W LED x 12 pcs
Base Material	Aluminum
Colors	Amber, Red, Blue, Green, White
Carton	12pcs/Carton

Item No	Max. Current	LED Type
JB165A1	3.70 Amps	3Watt x 12
JB165A2	2.5 Amps	3Watt x 8

Models with upward-facing LEDs

JB165B1	3.70 Amps	3Watt x 12
JB165B2	2.5 Amps	3Watt x 8



MOUNTING OPTIONS

JB165MA

3-Bolt Mount (DIA.130)



JB165MB

3-Bolt Mount (DIA.153)



JB165MC

Magnetic Mount



JB165MD

DIN pole mount



MULTI-VOLTAGE 11-110VDC LED Beacon series

FEATURES

- Multi-Voltage LED Beacons from 11~110 VDC.
- Suitable for all kinds of applications.

JB75L LED Beacon

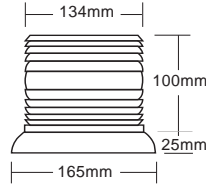
JB75L

Permanent mount



JB75L-C

Magnetic mount



SPECIFICATIONS

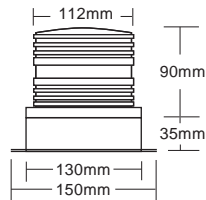
Flash Rate	8 flashes (45FPM)
Dome Material	Polycarbonate
Colors	Amber, Red, Blue, Green
Carton	20pcs/Carton

Item No	Voltage	Max. Current	LED Type
JB75L6	11-110VDC	0.70Amps	1Watt x 6

JB45L LED Beacon

JB45L

Permanent mount



SPECIFICATIONS

Flash Rate	8 flashes (45FPM)
Dome Material	Polycarbonate
Colors	Amber, Red, Blue, Green
Carton	20pcs/Carton

Item No	Voltage	Max. Current	LED Type
JB45L6	11-110VDC	0.70Amps	1Watt x 6

JB130L LED Beacon

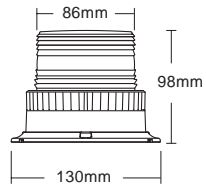
JB130L

Permanent mount



JB130L-C

Magnetic mount



SPECIFICATIONS

Flash Rate	8 flashes (45FPM)
Dome Material	Polycarbonate
Colors	Amber, Red, Blue, Green
Carton	40pcs/Carton

Item No	Voltage	Max. Current	LED Type
JB130L3	11-110VDC	0.35Amps	1Watt x 3
JB130L6	11-110VDC	0.70Amps	1Watt x 6

JB106L LED Beacon

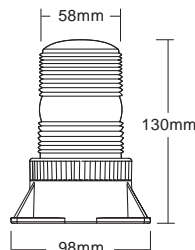
JB106L

Permanent mount



JB106L-C

Magnetic mount



SPECIFICATIONS

Flash Rate	8 flashes (45FPM)
Dome Material	Polycarbonate
Colors	Amber, Red, Blue, Green
Carton	50pcs/Carton

Item No	Voltage	Max. Current	LED Type
JB106L3	11-110VDC	0.35Amps	1Watt x 3
JB106L6	11-110VDC	0.70Amps	1Watt x 6

11-30VDC XENON STROBE Beacon series

FEATURES

- Wide range of voltage input 11~120VDC.
- Suitable for all kind of applications.

JB130S Strobe Beacon

JB130S

Permanent mount



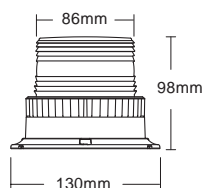
JB130S-C

Magnetic mount



SPECIFICATIONS

Voltage	11~110VDC
Current/Energy	0.3Amps / 2Joules
Flash Rate	80/minute
Flash Pattern	Single
Dome Material	Polycarbonate
Bulb	Xenon Linear
Colors	Amber, Blue, White, Red, Green
Carton	40pcs/Carton



JB106S Strobe Beacon

JB106S

Permanent mount



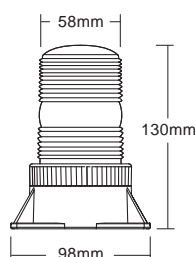
JB106S-C

Magnetic mount



SPECIFICATIONS

Voltage	11~110VDC
Current/Energy	0.3Amps / 2Joules
Flash Rate	72/minute
Flash Pattern	80
Dome Material	Polycarbonate
Bulb	Xenon Linear
Colors	Amber, Blue, White, Red, Green
Carton	50pcs/Carton





COVERT LIGHTS

*Covert warning lights are best for undercover applications.
Ideal to install inside head-light, tail-light and signal-light assemblies.*

TWIST-A-LIGHT *LED KIT Series*

FEATURES

- Fits NGPI vehicle headlight assembly.
- Split color capability with independent activation wires.
- Non-volatile memory recalls last flash pattern used at power up.
- Multiple units are synchronizable, and can flash simultaneously or alternately.
- Reverse polarity protection.
- Optional L-bracket for deck mount installation.



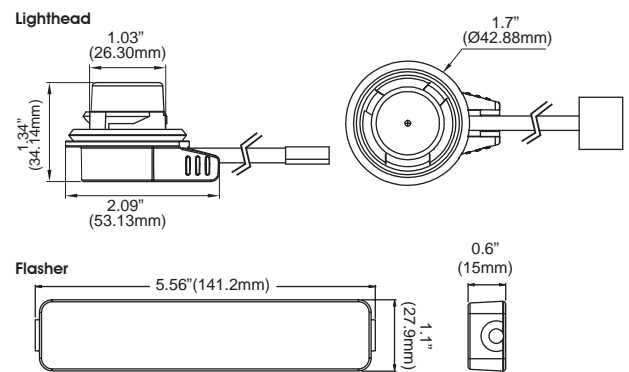
S-TAL06 TWIST-LOCK

for Next Generation Police Interceptor



SPECIFICATIONS

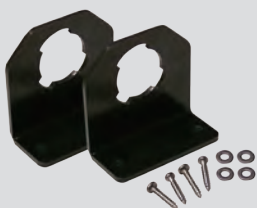
Voltage	12VDC
Current	Max. 1.3A @12VDC
Power	Max. 15.6 Watts
Bulb	1W LED x 6pcs per head
Flash Patterns	19
LED Colors	Amber, Red, Blue, White, Red/Blue
Carton	20sets/Carton



MOUNTING OPTIONS

99.F08M0.000

L-Bracket Single Head



POP-A-LIGHT *LED KIT Series*

FEATURES

- Split color capability with independent activation wires.
- Pop-In Design for easier installation.
- Non-volatile memory recalls last flash pattern used at power up.
- Multiple units are synchronizable, and can flash simultaneously or alternately.
- Reverse polarity protection.
- Weatherproof and vibration resistant for external or internal use.
- Flange option for surface mount applications.

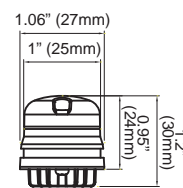
S-PAL06 LED SYSTEM (Split Color PAL06)



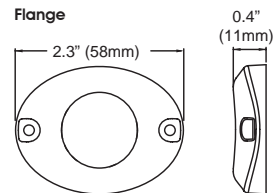
SPECIFICATIONS

Voltage	12VDC
Current	Max. 1.3A @12VDC
Power	Max. 15.6 Watts
Bulb	1W LED x 6pcs per head
Flash Patterns	19
LED Colors	Amber, Red, Blue, White, Red/Blue
	Blue/Amber, etc.
Flange Colors	Black, White, Chrome
Carton	20sets/Carton

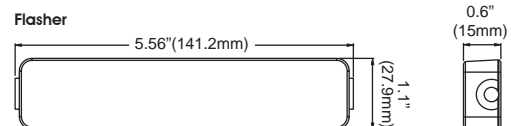
Lighthouse



Flange



Flasher



MOUNTING OPTIONS

FBK-PAL06B

Flange Kit sold separately



HIDE-A-LIGHT LED KIT Series

FEATURES

- Split color capability with independent activation wires.
- Non-volatile memory recalls last flash pattern used at power up.
- Multiple units are synchronizable, and can flash simultaneously or alternately.
- Reverse polarity protection.
- Weatherproof and vibration resistant for external or internal use.
- Flange option for surface mount applications.

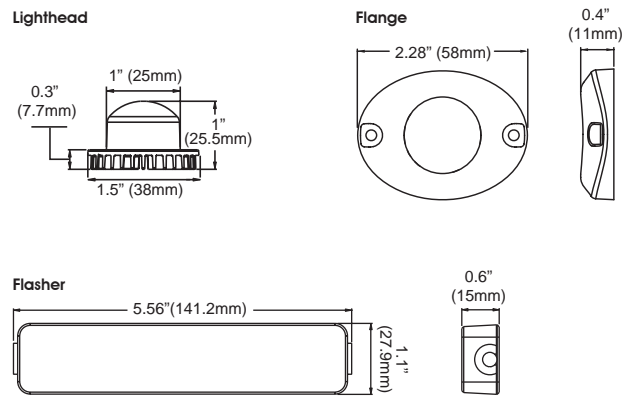


S-HAL06 LED SYSTEM (Split Color HAL06)



SPECIFICATIONS

Voltage	12VDC
Current	Max. 1.3A @12VDC
Power	Max. 15.6 Watts
Bulb	1W LED x 6pcs per head
Flash Patterns	19
LED Colors	Amber, Red, Blue, White, Red/Blue Blue/Amber, etc.
Flange Colors	Black, White, Chrome
Carton	20sets/Carton



HIDE-A-LIGHT LED KIT Series

FEATURES

- True 360 ° light output with Tri-Sides LED design.
- Internal installation in vehicle lamp with 1" cut-out.
- External surface mount on vehicle body with flange.
- Non-volatile memory recalls last flash pattern used at power up.
- Multi-units synchronization in simultaneous or alternating flash.
- Reverse polarity protection.

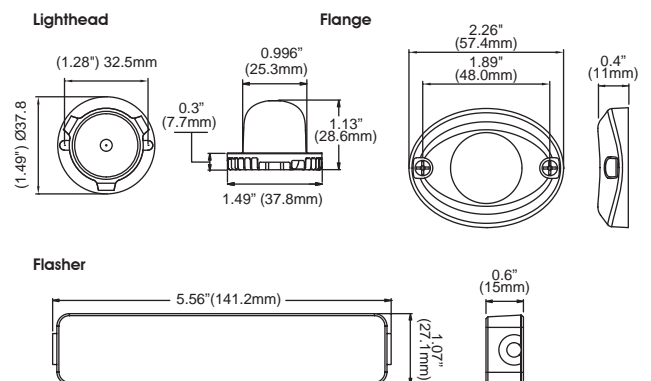


HAL09W LED SYSTEM (360° output)



SPECIFICATIONS

Voltage	12~24VDC
Current	Max. 2.5A @12VDC / 1.25A @24VDC
Power	Max. 30 Watts
Bulb	1W LED x 9pcs per head
Flash Patterns	19
LED Colors	Amber, Red, Blue, White
Flange Colors	Black, White, Chrome
Carton	20sets/Carton





SIREN

The 100 / 200W Siren are available in hand held (SAF205H) or full-function (SAF206S) models.

Powerful traffic clearing devices with simple operation, reliable performance and optimum durability.

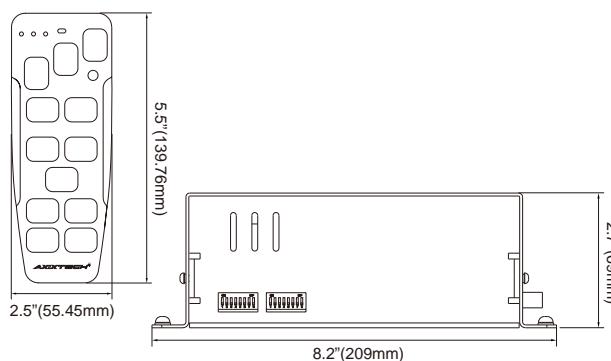
SIREN AMPLIFIERS *Series*

SAF205H 100/200W Hand Held Siren Amplifier



SPECIFICATIONS

Voltage	12VDC
Current	8.5 Amps (1 Speaker)
	16 Amps (2 Speaker)
Power	100 / 200 Watts
Functions	Air Horn, Wail, Yelp, Phaser, Hi-Lo, Radio, Microphone
Carton	4sets/Carton



SAF206S 100/200W Full Function Siren Amplifier



SPECIFICATIONS

Voltage	12VDC
Current	8.5 Amps (1 Speaker)
	16 Amps (2 Speaker)
Power	100 / 200 Watts
Functions	Air Horn, Wail, Yelp, Phaser, Hi-Lo, Radio, Microphone
Carton	4sets/Carton

